

# Bluetooth® Low Energy Protocol Stack

## Fast Prototyping Board Host Sample

### Introduction

This application note describes how to transmit sensor (Renesas HS3001 Humidity and Temperature Sensor) information via Bluetooth using the RL78/G14 Fast Prototyping Board and the RL78/G1D BLE Module Expansion Board.

The Host Sample is a Host MCU program executed by the RL78/G14 Fast Prototyping Board using the Bluetooth low energy protocol stack modem configuration. Controls the RL78/G1D Module on the RL78/G1D BLE Module Expansion Board connected by the UART 2-wire branch connection. It can also save pairing and pairing information with the Security Library.

This document also describes the hardware configuration that runs the Host Sample, the software configuration, the procedure for checking the smartphone and communication, and the Bluetooth communication sequence.

### Target Device

RL78/G14 Fast Prototyping Board (Parts Number: RTK5RLG140C00000BJ)

RL78/G1D BLE Module Expansion Board (Parts Number: RTKYRLG1D0B00000BJ)

### Related Documents

Document Name	Document No.
Bluetooth Low Energy Protocol Stack	
User's Manual	R01UW0095E
API Reference Manual: Basic	R01UW0088E
Application Note: Sample Program	R01AN1375E
Application Note: rBLE Command Specification	R01AN1376E
BLE Virtual UART Application	R01AN3130E
Security Library	R01AN3777E
RL78/G1D	
User's Manual: Hardware	R01UH0515E
RL78/G1D Module	
User's Manual: Hardware	R02UH0004E
User's Manual: Firmware	R01UW0160E
Application Note: Module Control Software	R01AN3362E
RL78/G14	
User's Manual: Hardware	R01UH0186E

**Contents**

1. Overview .....	4
2. Development Environment.....	5
2.1 Hardware Environment.....	5
2.2 Software Environment.....	5
3. Host Sample Compositions.....	6
3.1 Device Compositions.....	6
3.1.1 Pmod™ Interface.....	7
3.1.2 User Switch (SW_USR) .....	7
3.2 Software Compositions .....	8
3.3 Peripheral Function Compositions .....	10
3.4 File Compositions .....	13
4. How to Build .....	16
4.1 CS+ for CC .....	16
4.2 e <sup>2</sup> studio .....	16
4.3 Writing HEX file using Renesas Flash Programmer .....	17
5. Host Sample Demo.....	18
5.1 Install GATTBrowser .....	18
5.2 Execute Host Sample .....	18
5.2.1 CS+ for CC .....	19
5.2.2 e <sup>2</sup> studio .....	19
5.3 Communication operation check using a smartphone .....	20
5.3.1 Android Device .....	20
5.3.2 iOS Device.....	22
6. Host Sample Software Operation.....	24
6.1 rBLE Command and rBLE Event.....	24
6.2 Main Loop.....	25
6.3 GPCP Transmission/Reception Function.....	26
6.3.1 Transmit Function.....	26
6.3.2 Receive Function.....	27
6.4 UART 2-wire Branch Connection .....	28
6.4.1 Transmission Process .....	28
6.4.2 Reception Process .....	29
6.4.3 Application Circuits .....	30
6.5 Disable Sensor .....	31
7. Sequence Chart.....	32
7.1 Main sequence chart.....	32

7.2	Step1. rBLE Initialize sequence .....	33
7.3	Step2. GAP Initialize sequence.....	33
7.4	Step3. Broadcast sequence .....	34
7.5	Step4. Connection sequence .....	34
7.6	Step5. Profile Enable sequence .....	35
7.7	Step6. Remote Device Check sequence .....	35
7.8	Step7. Pairing sequence .....	36
7.9	Step8. Start Encryption sequence.....	36
7.10	Step9. Profile Communication sequence .....	37
7.11	Step10. Disconnection sequence .....	37
8.	Appendix .....	38
8.1	ROM size, RAM size .....	38
8.2	References .....	38
8.3	Terminology.....	39
	Revision History.....	41

The *Bluetooth*® word mark and logos are registered trademarks owned by Bluetooth SIG, Inc. and any use of such marks by Renesas Electronics Corporation is under license. Other trademarks and registered trademarks are the property of their respective owners.

Pmod™ is registered to Digilent Inc.

## 1. Overview

This application note describes how to transmit sensor information via Bluetooth using the RL78/G14 Fast Prototyping Board and the RL78/G1D BLE Module Expansion Board. The sensor uses the Renesas HS3001 Humidity and Temperature Sensor Module (humidity, temperature).

The Host Sample is a Host MCU program that runs on the RL78/G14 Fast Prototyping Board using the Bluetooth Low Energy Protocol Stack (BLE Protocol Stack) Modem configuration. Controls the RL78/G1D module (RY7011) that configures the RL78/G1D BLE Module Expansion Board of the BLE MCU connected by UART 2-wire branch connection<sup>(Note1)</sup>. In addition, by using the Security Library<sup>(Note2)</sup>, pairing execution and pairing information can be saved in the RL78/G14 Fast Prototyping Board.

The module firmware for operation check is written in RY7011 at the factory, and can be controlled from the Host MCU program using the rBLE API<sup>(Note3)</sup> of the BLE protocol stack.

- Notes: 1. In addition to TxD and RxD, which are UART data signal lines, the Host MCU has a WAKEUP signal line for waking up the BLE MCU at the time of data transmission. The WAKEUP signal line branches TxD of Host MCU and connects with WAKEUP of BLE MCU. For connection between Host MCU and BLE MCU, refer to "6.4.3 Application Circuits".
2. For details on the Security Library, refer to the "[Bluetooth® Low Energy Protocol Stack Security Library](#)" (R01AN3777).
3. For details on the BLE protocol stack API, refer to the "[Bluetooth® Low Energy Protocol Stack API Reference Manual : Basics](#)" (R01UW0088).

## 2. Development Environment

Describes the build environment and the development environment used to operation check.

### 2.1 Hardware Environment

— Host

- PC/AT™ compatible computer
- Processor: 1GHz or faster (with support for hyper threading and multicore CPUs)
- Main Memory: We recommend 2GB or more.
- Display: Graphics resolution should be at least 1024 x 768, and the mode should display at least 65,536 colors.
- Interface: USB2.0

— Development Board

- RL78/G14 Fast Prototyping Board (RTK5RLG140C00000BJ)
- RL78/G1D BLE Module Expansion Board (RTKYRLG1D0B00000BJ)
- Renesas HS3001 Humidity and Temperature Sensor Module with I2C Interface

— Smartphone

- Android device or iOS device

### 2.2 Software Environment

— OS

- Windows7 or later

— Integrated Development Environment/Compiler

Use one of the following integration environment and compiler combinations.

- CS+ for CC V8.05.00 / CC-RL V1.10.00
- e<sup>2</sup> studio 2021-01 (64-bit version) / CC-RL V1.10.00
- e<sup>2</sup> studio V7.8.0 (32-bit version) / CC-RL V1.10.00

### 3. Host Sample Compositions

#### 3.1 Device Compositions

"Figure 3-1 Device Compositions" shows the device configuration diagram used in this application note.

The Local Device (Peripheral) consists of the RL78/G14 Fast Prototyping Board, which is the Host MCU, and the RL78/G1D BLE Module Expansion Board, which is the BLE MCU. The two boards are connected by PMOD1 and communicate via UART 2-wire branch connection. Also, to transmit sensor data from the RL78/G1D BLE Module, connect Renesas HS3001 Humidity and Temperature Sensor Module (humidity, temperature) to PMOD2<sup>Note</sup> of the RL78/G14 Fast Prototyping Board. PMOD2 communicates over IICA.

Remote Device (Central) uses the smartphone of Android device or iOS device.

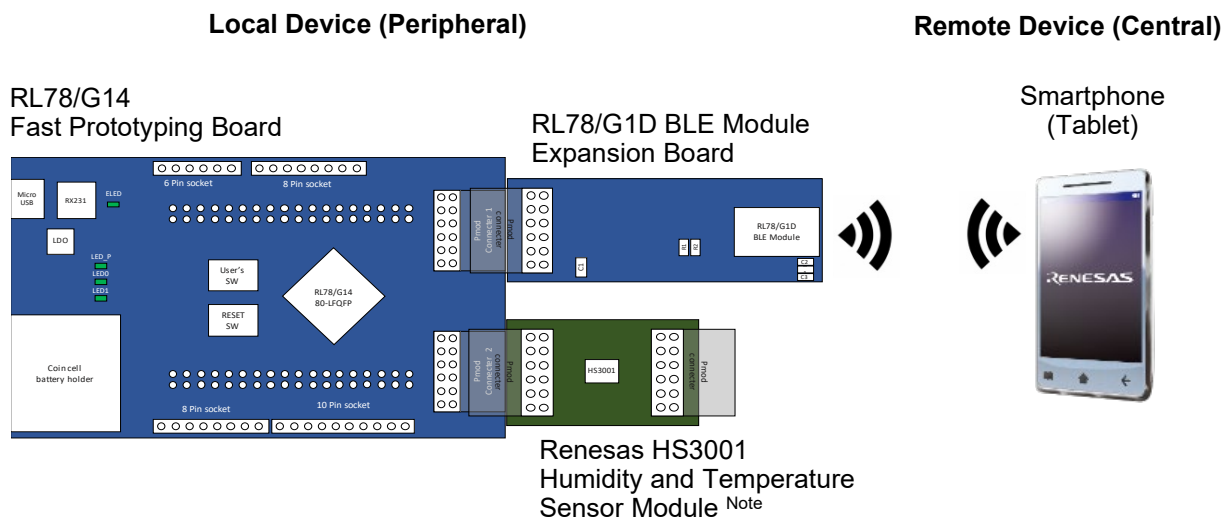


Figure 3-1 Device Compositions

Note: Connect to PMOD2 when using the I2C communication Pmod™ module. Then change the pin that assigns the function of serial interface IICA with the peripheral I/O redirect function of RL78/G14. Refer to "Table 3-2 PMOD2 connector pin assignment" for pin assignment.

The overview of the host sample is shown below.

- It uses rBLE API and executes below operations.
  - After power up, it starts broadcasting.
  - Connection is established by the connection request from Remote Device.
  - It executes pairing and starting encryption if Remote Device requires.
  - Enable the General Purpose Communication Profile with Indication permission from Remote Device.
  - Erase the security information stored in the data flash with the USER SW.
- It is implemented a simple scheduler for management processing sequence.
- It changes the RL78/G14 state into the STOP mode if there is nothing to execute.
- It supposes that peer device is a smart phone (Android device or iOS device).

### 3.1.1 Pmod™ Interface

The Pmod™ interface connector pin assignments in "Figure 3-1 Device Compositions" are shown. The function used by each pin is shown in blue.

#### (1) PMOD1

Table 3-1 PMOD1 connector pin assignment

RL78/G14 Fast Prototyping Board		Pmod™		RL78/G1D BLE Module Expansion Board	
Function Name	Pin No.	Pin No.	Pin No.	Function Name	
<b>P74</b> /KR4/INTP8	33	1	2	P30/ <b>INTP3</b> /RTC1HZ	
P51/INTP2/SO00/ <b>TxD0</b> /TOOLTxD/TRGIOB	42	2	8	P11/SI00/ <b>RxD0</b> /TOOLRxD/SDA00/(TI06)/(TO06)	
P50/INTP1/SI00/ <b>RxD0</b> /TOOLRxD/SDA00/TRGIOA/(TRJO0)	41	3	7	P12/SO00/ <b>TxD0</b> /TOOLTxD/(TI05)/(TO05)	
P30/INTP3/RTC1HZ/SCK00/SCL00/TRJO0	40	4	9	P10/SCK00/SCL00/(TI07)/(TO07)	
GND	-	5	-	GND	
VCC	-	6	-	V <sub>DD</sub>	
P140/PCLBUZ0/INTP6	2	7	-	N.C	
<b>P130</b>	72	8	24	<b>RESET#</b>	
P147/ANI18/VCOUT1	58	9	-	N.C	
P146	57	10	23	P40/TOOL0	
GND	-	11	-	GND	
VCC	-	12	-	V <sub>DD</sub>	

#### (2) PMOD2

Table 3-2 PMOD2 connector pin assignment

RL78/G14 Fast Prototyping Board		Pmod™		Renesas HS3001 Humidity and Temperature Sensor Module	
Function Name	Pin No.	Pin No.	Pin No.	Function Name	
P16/TI01/TO01/INTP5/TRDIOC0/IVREF0/(SI00)/(RxD0)	48	1	NC	NC	
P13/TxD2/SO20/TRDIOA1/IVCMP1	51	2	NC	NC	
(Note)P14/RxD2/SI20/SDA20/TRDIOD0/( <b>SCLA0</b> )	50	3	<b>SCL</b>	<b>SCL</b>	
(Note)P15/SCK20/SCL20/TRDIOB0/( <b>SDAA0</b> )	49	4	<b>SDA</b>	<b>SDA</b>	
GND	-	5	VSS	VSS	
VCC	-	6	VDD	VDD	
P141/PCLBUZ1/INTP7	1	7	NC	NC	
P110/(INTP11)	55	8	NC	NC	
P17/TI02/TO02/TRDIOA0/TRDCLK/IVCMP0/(SO00)/(TxD0)	47	9	NC	NC	
P111	56	10	NC	NC	
GND	-	11	VSS	VSS	
VCC	-	12	VDD	VDD	

Note: Change the function assignment of RL78/G14 with the peripheral I/O redirect function. Connect to PMOD2 when using the I2C communication Pmod™ module.

### 3.1.2 User Switch (SW\_USR)

Erases the security information of the RL78 / G14 data flash.

For security information, refer to "[Bluetooth® Low Energy Protocol Stack Security Library](#)" (R01AN3777).

### 3.2 Software Compositions

The software composition of RL78/G14 which is a Host MCU and RY7011 which is a BLE MCU is shown. Firmware for operation check is written in RY7011 at the time of shipment, and it supports some profiles. In this document, General Purpose Communication Profile (GPCP) is used. For other profiles, refer to "7. Profile" in the "[RL78/G1D Module Firmware User's Manual](#)" (R01UW0160).

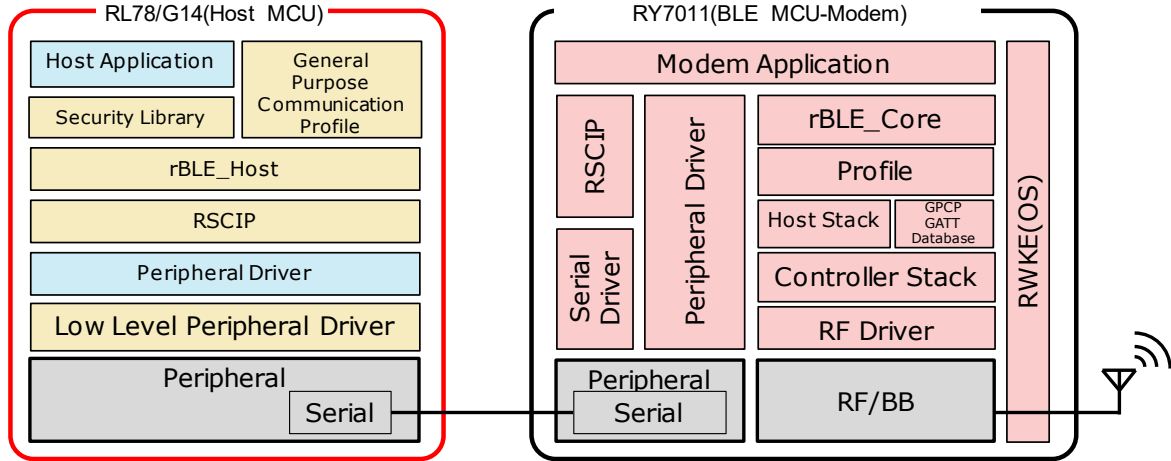


Figure 3-2 Software Compositions

The software of Host MCU consists of low level peripheral drivers and peripheral drivers which controls MCU peripheral hardware, RSCIP (Renesas Serial Communication Interface Protocol), rBLE\_Host which provides rBLE APIs, host application which controls the system, General Purpose Communication Profile (GPCP) using the GATT API, Security Library that provides security functions such as pairing.

Low Level Peripheral driver code is generated by the Code Generator. RSCIP and rBLE\_Host are included in BLE protocol stack package and provided code. When developing software, it is necessary to use the latest code which is provided by BLE protocol stack package.

Table 3-3 Host MCU Software Composition

Software	Functions	When developing software
Host Application	Initializing rBLE Scheduling rBLE command execution Registering rBLE event callbacks	<u>Need to be coded</u>
Security Library	Pairing, Bonding, Encryption, Privacy	No need to be coded (provided by package) <sup>Note1</sup>
General Purpose Communication Profile (GPCP)	Custom Profile using GATT APIs	No need to be coded (provided by package) <sup>Note1</sup>
rBLE_Host	Providing rBLE APIs Executing rBLE event callbacks	No need to be coded (provided by package) <sup>Note1</sup>
RSCIP	Controlling serial communication	No need to be coded (provided by package) <sup>Note1</sup>
Peripheral Driver	Controlling Host MCU peripheral hardware	<u>Need to be coded</u>
Low Level Peripheral Driver	Controlling Host MCU peripheral hardware primitively	No need to be coded (generated by tool) <sup>Note2</sup>

Notes: 1. Code files for software development are provided by BLE protocol stack package.

2. Code files for software development are generated by the Code Generator.



The software of BLE MCU consists of RF driver which controls RF/BB, Host/Controller stacks, Profiles, rBLE\_Core, Serial Driver and RSCIP for communicating with Host MCU, RWKE (Renesas Wireless Kernel Extension) which manages the system and Modem application. The build environment is provided by "[RL78/G1D Module Module Control Software](#)" (R01AN3362).

Table 3-4 BLE MCU Software Composition

Software	Functions
Modem Application	Controlling RSCIP and rBLE
RWKE	Managing the whole system schedule and memory resource.
RSCIP	Controlling serial communication
Peripheral Driver/Serial Driver	Controlling BLE MCU peripheral hardware
rBLE_Core	Providing rBLE APIs
Profile	Providing Profiles functions
Host Stack	Providing GAP, GATT, SM, L2CAP functions
GSCP GATT Database	GATT Database of General Purpose Communication Profile
Controller Stack	Providing LL functions

### 3.3 Peripheral Function Compositions

The following shows the RL78/G14 peripheral functions used on the RL78/G14 Fast Prototyping Board.

Table 3-5 Peripheral Functions

Peripheral Function	Purpose	Necessity <sup>Note</sup>
Pin assignment (Peripheral I/O redirect function)	Used for IICA communication between the RL78/G14 Fast Prototyping Board and the Renesas HS3001 Humidity and Temperature Sensor Module.  At reset of RL78/G14, IICA0 pin is assigned to SCLA0=P60 and SDAA0=P61. Communication can be performed with IICA0 by assigning SCLA0=P14 and SDAA0=P15 to the PMOD2 I/F of the RL78/G14 Fast Prototyping Board with the peripheral I/O redirect function.	Optional
Clock generator	Used to set the operating frequency of RL78/G14.	Mandatory
Port	P74: Used as WAKEUP pin of UART 2-wire branch connection with RL78/G1D BLE Module Expansion Board.  P130: Used as reset release pin of RL78 / G1D BLE Module Expansion Board.	Mandatory
	P43: Used for LED0 of RL78/G14 Fast Prototyping Board.  P44: Used for LED1 of RL78/G14 Fast Prototyping Board.	Optional
Serial-UART0	Used for UART communication between RL78/G14 Fast Prototyping Board and RL78/G1D BLE Module Expansion Board.	Mandatory
Serial-IICA0	Used for IICA communication between RL78/G14 Fast Prototyping Board and Renesas HS3001 Humidity and Temperature Sensor Module.	Optional
Timer-TAU0	Used for A/D conversion wait time of Renesas HS3001 Humidity and Temperature Sensor Module.	Optional
12-bit Interval timer	Used for the rBLE timer function.	Mandatory
Interrupt Functions - INTPO	Used for interrupting the user switch (SW_USR).	Optional

Note: Peripheral hardware which Host MCU required to use the rBLE is classified "Mandatory", other peripheral hardware is classified "Optional".

Table 3-6 Peripheral Functions Setting

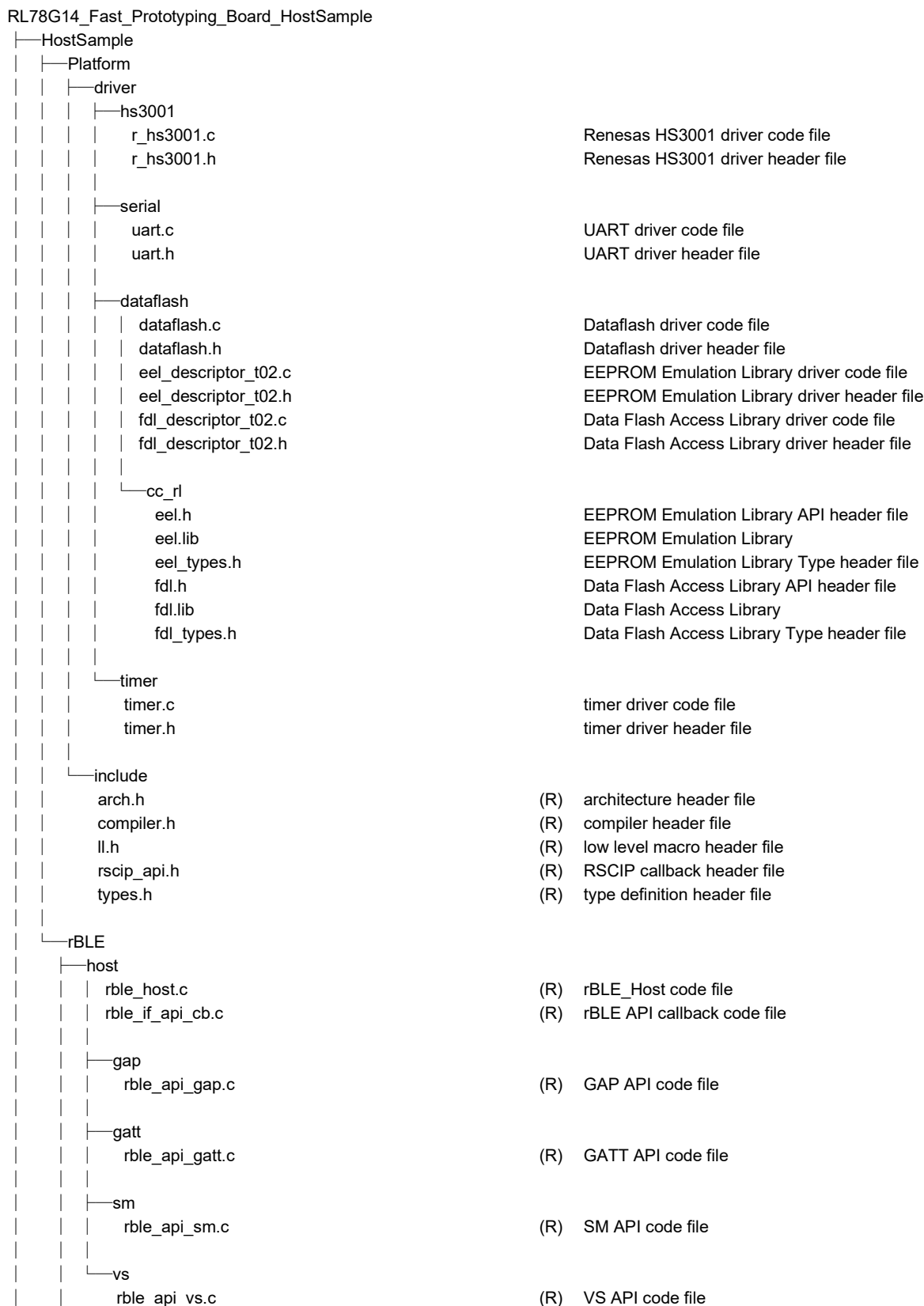
Peripheral Function	Purpose	Setting
Port assignment (Peripheral I/O redirect function)	PIOR2	Set to 1 (Assign SCLA0 to P14) (Assign SDAA0 to P15)
Clock generator	mode	High-speed main mode $2.7(V) \leq V_{DD} \leq 5.5(V)$
	EV <sub>DD</sub>	$1.8(V) \leq EV_{DD} \leq 5.5(V)$
	High-speed on-chip oscillator	64(MHz)
	Low-speed on-chip oscillator	15kHz
	RTC, interval timer clock	15(f <sub>IL</sub> )kHz
	CPU/peripheral hardware clock	32000(f <sub>IH</sub> )kHz
Port	P43	Output (RL78/G14 Fast Prototyping Board LED0)
	P44	Output (RL78/G14 Fast Prototyping Board LED1)
	P74	Output (RL78/G1D BLE Module Expansion Board WAKEUP pin)
	P130	Output (RL78/G1D BLE Module Expansion Board RESET pin)
Serial SAU0 - UART0 - Receiving	Data bit length	8 bit
	Data direction	LSB
	Parity	no parity
	Stop bit length	1 bit
	Data phase	standard
	Baudrate	115200(bps)
	Interrupt (INTSR0)	High
	Callback function	Reception transfer end Error
Serial SAU0 - UART0 - Transmitting	Transfer mode	Single mode
	Data bit length	8 bit
	Data direction	LSB
	Parity	no parity
	Stop bit length	1 bit
	Data phase	standard
	Baudrate	115200(bps)
	Interrupt (INTST0)	Low

	Callback function	Transmission end
Serial IICA0 - Single master	Count clock	$f_{CLK}/2$
	Own address	16
	Mode	standard
	Transmission clock	100000(bps)
	Transmission completion interrupt priority (INTIICA0)	Low
	Callback function	Master transmission completion Master reception completion Master error
	Callback extension function	Master transmission/reception callback with stop condition generation
Timer TAU0 - channel 0- Interval timer	Interval period	1ms
	Interrupt setting	count completion interrupt (INTTM00)
	Priority	Low
12-bit interval timer	Interval timer	used
	Interval period	10ms
	Interrupt	interval period expiration interruption (INTIT)
	Priority	Low
Interrupt INTP0 - External interrupt	Valid edge	Falling edge
	Priority	Low

### 3.4 File Compositions

The file composition of the host sample is shown below.

The (R) mark of file configuration indicates that the file is included in the BLE protocol stack package. When developing software, it is necessary to use the latest code which is provided by BLE protocol stack package.



include	
db_handle.h	(R) data base handle header file
prf_sel.h	(R) profile select header file
rble.h	(R) rBLE macro header file
rble_api.h	(R) rBLE API header file
rble_app.h	(R) rBLE SCP API header file
rble_trans.h	(R) rBLE communication header file
host	
rble_host.h	(R) rBLE_Host header file
rscip	
rscip.c	(R) RSCIP code file
rscip.h	(R) RSCIP header file
rscip_cntl.c	(R) RSCIP control code file
rscip_cntl.h	(R) RSCIP control header file
rscip_ext.h	(R) RSCIP external callback header file
rscip_uart.c	(R) RSCIP serial communication code file
rscip_uart.h	(R) RSCIP serial communication header file
sample_app	
app.c	host application code file
r_hs3001_app.c	Renesas HS3001 application code file
r_hs3001_app.h	Renesas HS3001 application code file
seclib	
seclib.c	Security Library code file
seclib.h	Security Library header file
secdb.c	Security Database code file
secdb.h	Security Database header file
sample_profile	
uart	
uart.h	General purpose communication header file
uarts.c	General purpose communication server code file
uarts.h	General purpose communication server header file
project	
cs_cc	startup routine
cstart.asm	I/O header file
iodefine.h	Macro definition for register access header file
RL78G14_Fast_Prototyping_Board_HostSample.mtpj	CS+ for CC project file
RL78G14_Fast_Prototyping_Board_HostSample.rcpe	CS+ for CC project file
stkinit.asm	stack area initialize routine
src	
r_cg_cgc.c	clock generator driver code file
r_cg_cgc.h	clock generator driver header file
r_cg_cgc_user.c	clock generator driver user code file
r_cg_it.c	interval timer driver code file
r_cg_it.h	interval timer driver header file
r_cg_it_user.c	interval timer driver user code file
r_cg_macrodriver.h	macro header file
r_cg_macrodriver_hostsample.h	macro header file (backup file)
r_cg_port.c	port driver code file
r_cg_port.h	port driver header file
r_cg_port_user.c	port driver user code file
r_cg_serial.c	serial driver code file
r_cg_serial.h	serial driver header file
r_cg_serial_user.c	serial driver user code file
r_cg_timer.c	timer array unit code file

	r_cg_timer.h	timer array unit header file
	r_cg_timer_user.c	timer array unit user code file
	r_cg_intc.c	interrupt driver code file
	r_cg_intc.h	interrupt driver header file
	r_cg_intc_user.c	interrupt driver user code file
	r_cg_userdefine.h	user defined macro header file
	r_main.c	main loop code file
	r_systeminit.c	peripheral initialization code file
	└─e2studio	
	.cproject	e2studio project file
	.project	e2studio project file
	RL78G14_Fast_Prototyping_Board_HostSample-	e2studio project file
	HardwareDebug.launch	
	└─settings	
	Dependency_Scan_Preferences.prefs	e2studio project file
	e2studio_project.prefs	e2studio project file
	org.eclipse.cdt.managedbuilder.core.prefs	e2studio project file
	renesasPGModel.xml	e2studio project file
	└─CodeGenerator	e2studio project file
	cgproject.cgp	e2studio project file
	cgprojectDatas.datas	
	└─generate	
	cstart.asm	startup routine
	iodefine.h	I/O header file
	stkinit.asm	stack area initialize routine
	└─src	
	r_cg_cgc.c	clock generator driver code file
	r_cg_cgc.h	clock generator driver header file
	r_cg_cgc_user.c	clock generator driver user code file
	r_cg_it.c	interval timer driver code file
	r_cg_it.h	interval timer driver header file
	r_cg_it_user.c	interval timer driver user code file
	r_cg_macrodriver.h	macro header file
	r_cg_port.c	port driver code file
	r_cg_port.h	port driver header file
	r_cg_port_user.c	port driver user code file
	r_cg_serial.c	serial driver code file
	r_cg_serial.h	serial driver header file
	r_cg_serial_user.c	serial driver user code file
	r_cg_timer.c	timer array unit code file
	r_cg_timer.h	timer array unit header file
	r_cg_timer_user.c	timer array unit user code file
	r_cg_intc.c	interrupt driver code file
	r_cg_intc.h	interrupt driver header file
	r_cg_intc_user.c	interrupt driver user code file
	r_cg_userdefine.h	user defined macro header file
	r_main.c	main loop code file
	r_systeminit.c	peripheral initialization code file

## 4. How to Build

The project and build procedure for building host sample of RL78/G14 Fast Prototyping Board are shown below.

Table 4-1 RL78/G14 Fast Prototyping Board project

<b>CS+ for CC</b>	
Project File	RL78G14_Fast_Prototyping_Board_HostSample\project\cs_cc\ RL78G14_Fast_Prototyping_Board_HostSample.mtpj
HEX File	RL78G14_Fast_Prototyping_Board_HostSample\project\cs_cc\DefaultBuild\ RL78G14_Fast_Prototyping_Board_HostSample.hex
<b>e<sup>2</sup> studio</b>	
Project Folder	RL78G14_Fast_Prototyping_Board_HostSample\project\e2studio
HEX File	RL78G14_Fast_Prototyping_Board_HostSample\project\e2studio\HardwareDebug\ RL78G14_Fast_Prototyping_Board_HostSample.hex

### 4.1 CS+ for CC

1. Double click the project file shown in Project File of "Table 4-1 RL78/G14 Fast Prototyping Board project".
2. Right click "RL78G14\_Fast\_Prototyping\_Board\_HostSample (Project)" in the "Project Tree" and select "Build RL78G14\_Fast\_Prototyping\_Board\_HostSample" from the drop down menu to start the build.
3. A HEX file is generated in the path shown in the HEX File column of CS+ for CC in "Table 4-1 RL78/G14 Fast Prototyping Board project".

### 4.2 e<sup>2</sup> studio

1. Launch e<sup>2</sup> studio.
2. Right click on the "Project Explorer" and select "Import" from the displayed menu.
3. The "Import" window will be displayed. Select "Existing project to workspace" and click "Next".
4. In the "Select root directory" form, select the project folder shown in the Project Folder of e<sup>2</sup> studio in "Table 4-1 RL78/G14 Fast Prototyping Board project". After selection, confirm that the specified project is displayed in "Project" and click "Finish". Then the "Import" window is closed.
5. Right click on the project displayed on the "Project Explorer" and select "Build Project" to start the build.
6. A HEX file is generated in the path shown in the HEX File of e<sup>2</sup> studio in "Table 4-1 RL78/G14 Fast Prototyping Board project".



### 4.3 Writing HEX file using Renesas Flash Programmer

This section describes how to write the pre-built HEX file attached to this application note.

To write the pre-built HEX file, it is necessary to mount a header component so that the Fast Prototyping Board can operate stand-alone. For details, refer to " 5.12 Emulator Reset Header" in "[RL78/G14 Fast Prototyping Board User's Manual](#)" (R20UT4573).

Table 4-2 Pre-build HEX File

HEX File	
RFP Project File	RL78G14_Fast_Prototyping_Board_HostSample\ROM_File\ RL78G14_Fast_Prototyping_Board.rpj
HEX File	RL78G14_Fast_Prototyping_Board_HostSample\ROM_File\ RL78G14_Fast_Prototyping_Board_HostSample.hex

1. Launch Renesas Flash Programmer.
2. Select "File"->"Open Project..." from the menu to open the "Table 4-2 Pre-build HEX File" RFP Project File.
3. Press the "Browse ..." button in "Program File" on the "Operation" tab to open the HEX File in "Table 4-2 Pre-build HEX File".
4. Press the "Start" button to start writing.

## 5. Host Sample Demo

Check BLE communication with the configuration shown in "Figure 3-1 Device Compositions".

### 5.1 Install GATTBrowser

Install GATTBrowser which can check BLE operation on your smartphone (tablet).

- GATTBrowser for Android

<https://play.google.com/store/apps/details?id=com.renesas.ble.gattbrowser>

- GATTBrowser for iOS

<https://itunes.apple.com/us/app/gattbrowser/id1163057977?mt=8>

### 5.2 Execute Host Sample

Download the host sample built using CS+ for CC or e<sup>2</sup> studio to the RL78/G14 Fast Prototyping Board and execute it.

Build the program according to "4. How to Build" first. Connect the RL78/G14 Fast Prototyping Board to a PC with a USB cable, and download the program. When the program is executed, the RL78/G14 BLE Module Expansion Board starts sending advertising packets.

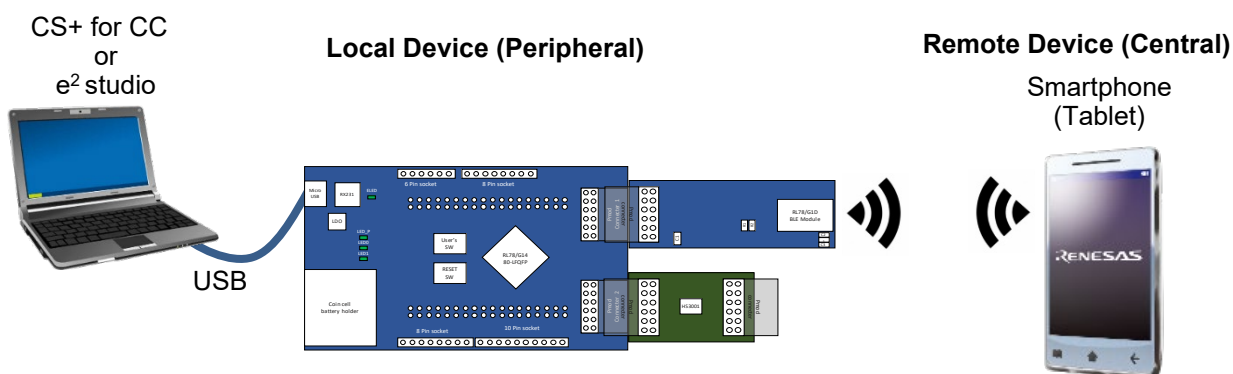


Figure 5-1 Host Sample Demo Composition

### 5.2.1 CS+ for CC

1. Please build the program referring to "4.1 CS+ for CC".
2. Select "Debug (D)"-"Download to debug tool (D)" from the menu, and download the program to the RL78/G14 Fast Prototyping Board.
3. Open "Platform\driver\hs3001\r\_hs3001.c " in CS+ internal editor.
4. Right click on "humidity" on line 135 and select "Register Action Event (A) ...".
5. Enter "humidity" in "Printf event" tab - "Variable expression (V)" text box and press "OK".
6. Right click on "temperature" on line 143 and select "Register Action Event (A) ...".
7. Enter "temperature" in "Printf event" tab - "Variable expression (V)" text box and press "OK".
8. Select "Debug (D)"-"Go (G)" from the menu or press the "F5" key to execute the program.
9. Sending of advertising packets is started from the RL78/G1D BLE Module Expansion Board.

### 5.2.2 e<sup>2</sup> studio

1. Please build the program referring to "4.2 e<sup>2</sup> studio".
2. Select "Run (R)"-"Debug (D)" from the menu or press "F11" to download the program to the RL78/G14 Fast Prototyping Board.
3. Open "src\HostSample\Platform\driver\hs3001\r\_hs3001.c" in the e<sup>2</sup> studio editor.
4. Right click on the line number of the 135 line and select "Add Dynamic Printf ...".
5. Enter ""humidity=%d\n", humidity" in the "printf" text box and press "OK".
6. Right click on the line number of the 143 line and select "Add Dynamic Printf ...".
7. Enter ""temperature=%d\n", temperature" in the "printf" text box and press "OK".
8. Select "Run (R)"-"Resume (M)" from the menu or press "F8" to execute the program.
9. Sending of advertising packets is started from the RL78/G1D BLE Module Expansion Board.

## 5.3 Communication operation check using a smartphone

### 5.3.1 Android Device

Check the communication operation using Android device to Remote Device (Central). Also refer to "Figure 5-2 Android Device".

1. Launch GATTBrowser installed on your Android device.
2. Connect with the device displayed as "RTK5RL140C" in the scan results. (Arrow (1) in Figure A1)
3. When connected, a list of services is displayed. Scroll down to the bottom and select "Indication Characteristic" of "Renesas Virtual UART Service". (Arrow (2) in Figure A2)
4. Tap "Indication Off" to "Indication On". (Arrow (3) in Figure A3)
5. Return to the list of services and select "Write Characteristic". (Arrow (4) in Figure A4)
6. Select String, enter 's' and tap "Write", Android device will send 's'. The Local Device (Peripheral) that receives 's' transmits the information measured by the sensor in Indication. (Arrow (5) in Figure A5)
7. Return to the list of services and select "Indication Characteristic". Sensor information sent every 5 seconds from Local Device (Peripheral) is displayed. (Arrow (6) in Figure A6)

#### (1) Display of sensor measurement results in CS+

1. Select "Display (V)"-"Output (O)" in CS+ to open the Output panel.
2. The measurement results (humidity, temperature) of the sensor are displayed.

#### (2) Display of sensor measurement results in e<sup>2</sup> studio

1. Select "Window (W)"-"Show View (V)"-"Debugger Console" in e<sup>2</sup> studio to open the Debugger Console.
2. The measurement results (humidity, temperature) of the sensor are displayed.

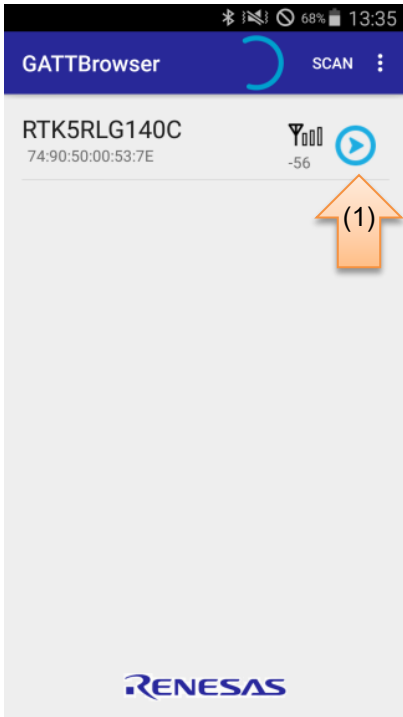


Figure A1

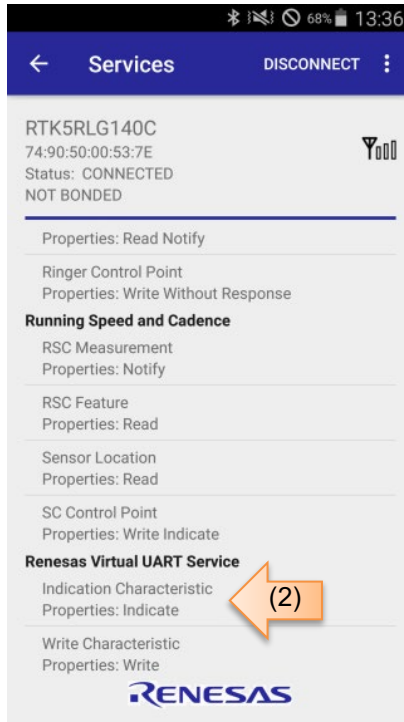


Figure A2

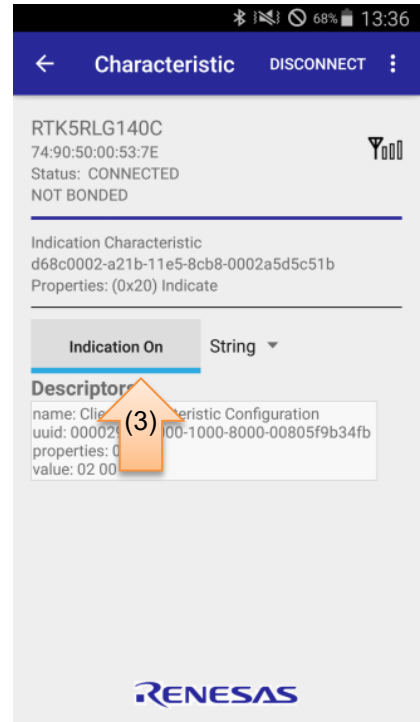


Figure A3

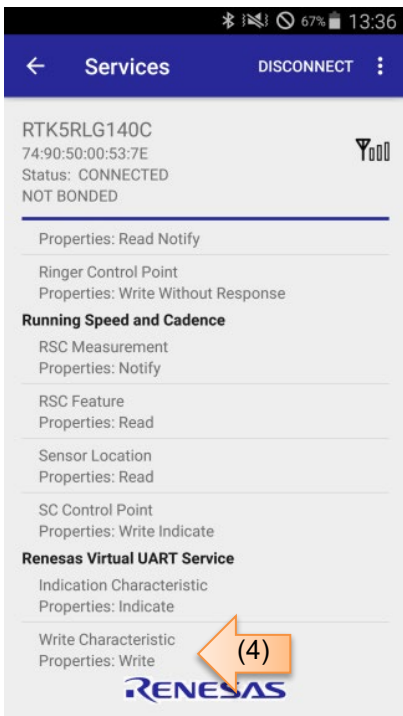


Figure A4

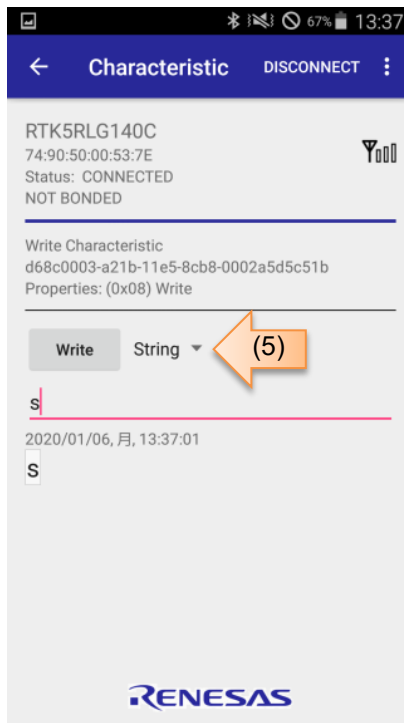


Figure A5

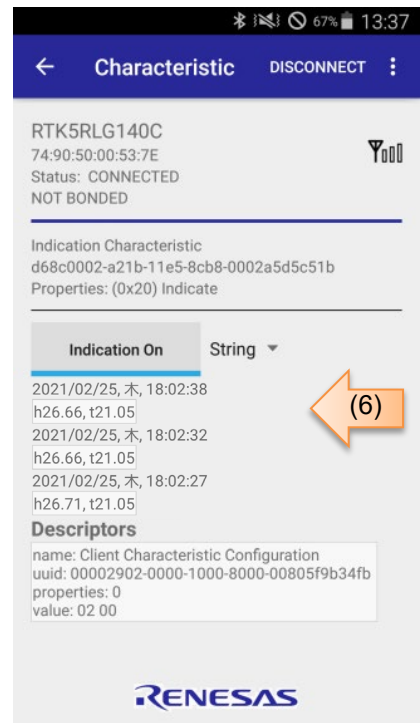


Figure A6

Figure 5-2 Android Device

### 5.3.2 iOS Device

Check the communication operation using iOS device to Remote Device (Central). Also refer to "Figure 5-3 iOS Device".

1. Launch GATTBrowser installed on your iOS device.
2. Connect with the device displayed as "RTK5RL140C" in the device search results. (Arrow (1) in Figure B1)
3. When connected, a list of services is displayed. Scroll down to the bottom and select "Indication Characteristic" of "Renesas Virtual UART Service". (Arrow (2) in Figure B2)
4. Tap "Enable Indication" to "Disable Indication". (Arrow (3) in Figure B3)
5. Return to the list of services and select "Write Characteristic". (Arrow (4) in Figure B4)
6. Select String, enter 's' and tap "Write", iOS device will send 's'. The Local Device (Peripheral) that receives 's' transmits the information measured by the sensor in Indication. (Arrow (5) in Figure B5)
7. Return to the list of services and select "Indication Characteristic". Sensor information sent every 5 seconds from Local Device (Peripheral) is displayed. (Arrow (6) in Figure B6)

#### (1) Display of sensor measurement results in CS+

1. Select "Display (V)"-"Output (O)" in CS+ to open the Output panel.
2. The measurement results (humidity, temperature) of the sensor are displayed.

#### (2) Display of sensor measurement results in e<sup>2</sup> studio

1. Select "Window (W)"-"Show View (V)"-"Debugger Console" in e<sup>2</sup> studio to open the Debugger Console.
2. The measurement results (humidity, temperature) of the sensor are displayed.

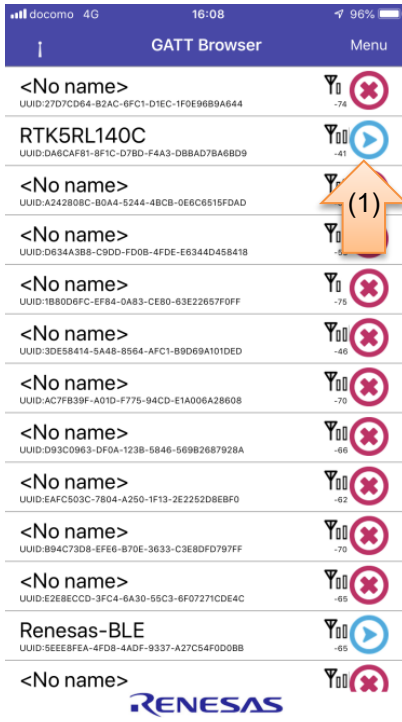


Figure B1

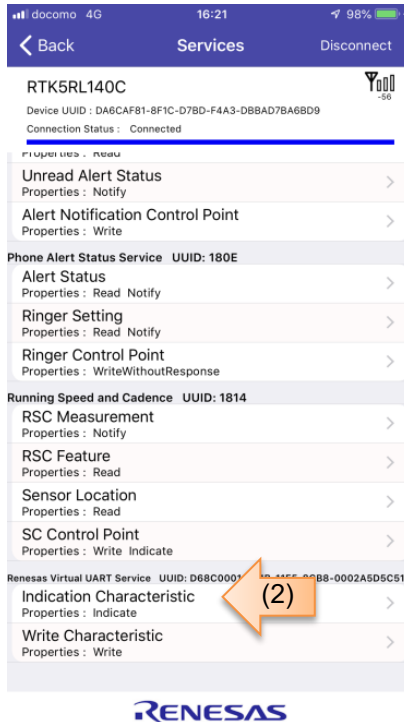


Figure B2

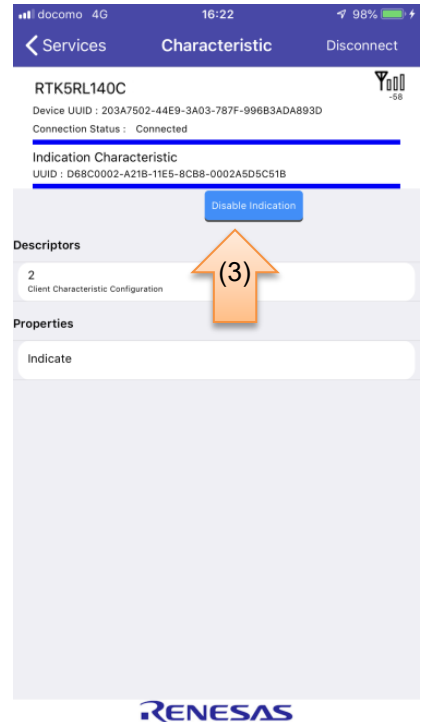


Figure B3

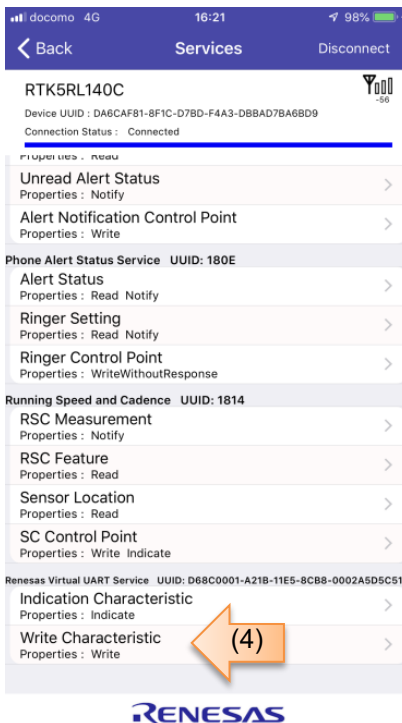


Figure B4

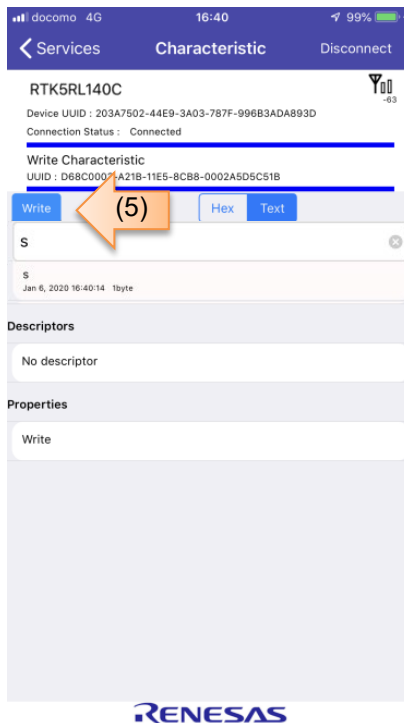


Figure B5

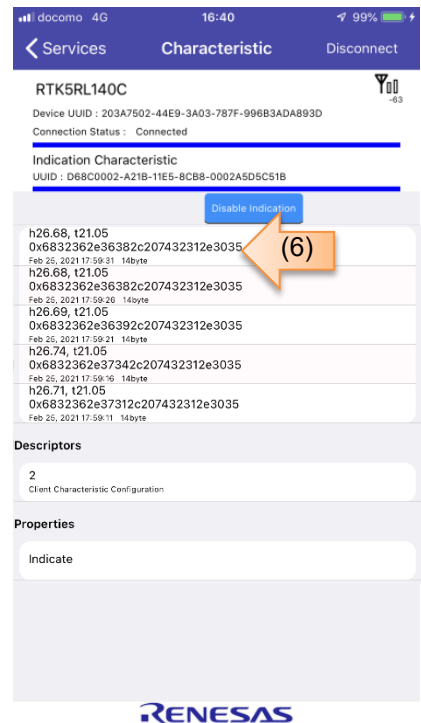


Figure B6

Figure 5-3 iOS Device

## 6. Host Sample Software Operation

The operation outline of the Host MCU program is shown, focusing on the Host Application (APP) and rBLE\_Host shown in "3.2 Software Compositions".

### 6.1 rBLE Command and rBLE Event

The operation of the rBLE command and rBLE event is shown in "Figure 6-1 rBLE Command and rBLE Event operation".

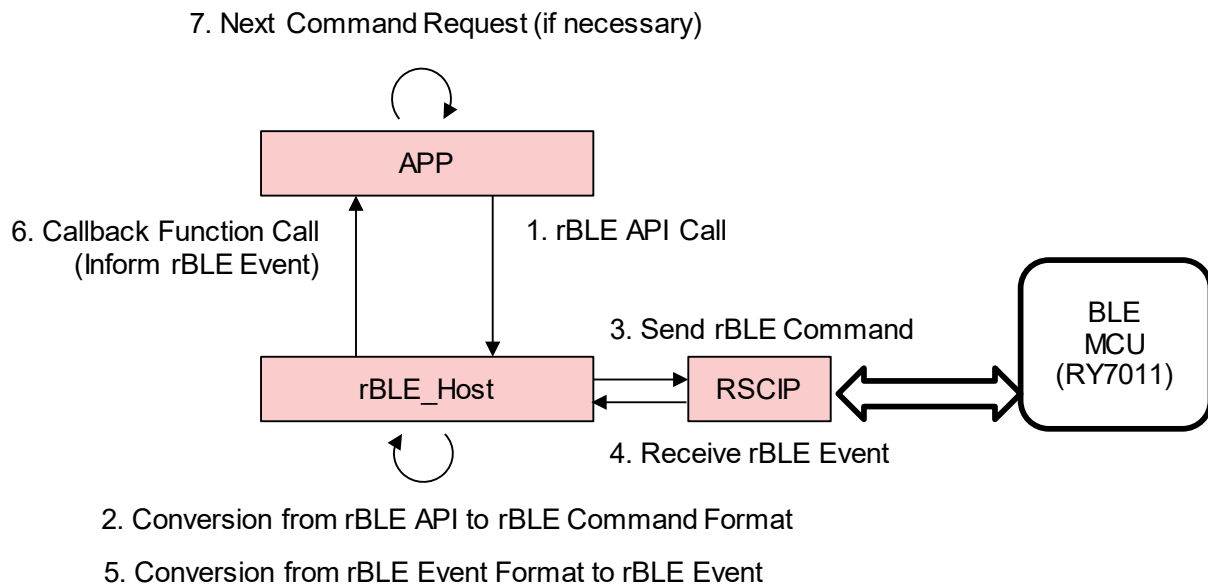


Figure 6-1 rBLE Command and rBLE Event operation

1. APP calls rBLE API.
2. rBLE\_Host converts rBLE API and parameters into rBLE command format.
3. The rBLE command is sent to the BLE MCU via RSCIP.
4. BLE MCU executes rBLE command and sends rBLE event to Host MCU by RSCIP.
5. rBLE\_Host converts rBLE event format to rBLE event.
6. rBLE\_Host calls the callback function of APP to notify rBLE event.
7. APP calls the next rBLE API.

For details on rBLE command and rBLE event, refer to "[Bluetooth® Low Energy Protocol Stack rBLE Command Specification](#)" (R01AN1376).



## 6.2 Main Loop

"Figure 6-2 Main Loop operation" shows the host sample main loop operation.

The main loop executes an APP scheduler that performs APP sequence processing and rBLE API calls and event operations, an rBLE scheduler that transmits rBLE API command format and receives rBLE Event format, a sensor scheduler that measures sensors, and MCU mode management for reducing power consumption.

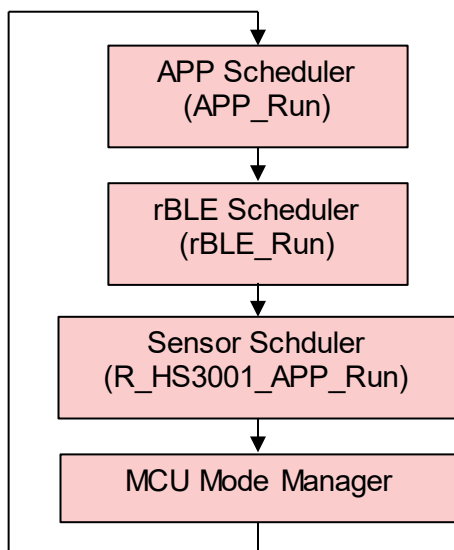


Figure 6-2 Main Loop operation

The APP scheduler has a command request queue used for sequencing and calls the rBLE API if a command request is set in the command request queue. The callback function called from the rBLE scheduler places the next command request on the queue.

The rBLE scheduler communicates with the BLE MCU in rBLE command format and rBLE event format. Also, if it has an event queue and the rBLE event received from BLE MCU is set in the event queue, it calls the callback function of APP.

The sensor scheduler performs sensor initialization and sensor measurements. The measurement results are sent to the smartphone using universal two-way communication.

The MCU mode management process changes the MCU to STOP if nothing is set in the command request queue and event queue. The MCU returns from STOP by an interrupt.

### 6.3 GPCP Transmission/Reception Function

This section describes the functions used to instruct the sensor to start measurement via Bluetooth and to communicate measurement data.

Refer to "7.10 Step9. Profile Communication sequence" for the data communication sequence.

#### 6.3.1 Transmit Function

Shows the function to send data measured by the sensor to the smartphone.

void R_HS3001_APP_Send_Data(void)	
- HostSample\rBLE\sample_app\r_hs3001_app.c : line.224	
Call the GPCP Indication transmission function (RBLE_VUART_Server_Send_Indication () <sup>Note1</sup> ) and send the sensor measurement data to the smartphone. This function is executed periodically using the timer function of rBLE.	
Notes: 1. For details of the function, refer to "8.5.2.3 RBLE_VUART_Server_Send_Indication" in <a href="#">"Bluetooth® Low Energy Protocol Stack BLE Virtual UART Application"</a> (R01AN3130).	
Parameters:	
	none
Return:	
	nono

### 6.3.2 Receive Function

Indicates the function that receives data from a smartphone.

void R_HS3001_APP_Receive_Data_Callback(uint8_t *rbuf, uint8_t len)	
<p>– HostSample\rBLE\sample_app\r_hs3001_app.c : line.278</p> <p>It is called from the GPCP event (RBLE_VUART_EVENT_SERVER_WRITE_REQ <sup>Notes1</sup>) that occurs when smartphone data is received, and starts or stops sensor measurement. By setting this function as a callback function, it will be called from a GPCP event.</p> <p>Set the callback function in the R_HS3001_APP_Init() function. The setting method is shown below.</p> <p>– HostSample\rBLE\sample_app\r_hs3001_app.c : line.118</p> <pre>cb_func_t cbf; cbf.cb_confirmation = R_HS3001_APP_Confirmation_Callback; cbf.cb_receive_data = R_HS3001_APP_Receive_Data_Callback; rBLEAPI_Register_CB(&amp;cbf);</pre>	
<p>Notes: 1. For details of the function, refer to “8.5.3.2 RBLE_VUART_EVENT_SERVER_WRITE_REQ” in <a href="#">"Bluetooth® Low Energy Protocol Stack BLE Virtual UART Application"</a> (R01AN3130).</p>	
Parameters:	
uint8_t *rbuf	Address of memory where received data is stored.
uint8_t len	Data length.
Return:	
none	

### 6.4 UART 2-wire Branch Connection

This section describes the UART 2-wire branch connection method used for serial communication with the RL78/G1D BLE Module Expansion Board. For connection of the RL78/G14 Fast Prototyping Board used in this application note with the RL78/G1D BLE Module Expansion Board via UART 2-wire connection, refer "6.4.3 Application Circuits".

#### 6.4.1 Transmission Process

A handshake is performed to send the packet to a module from Host MCU. A handshake is performed by send the REQ byte (0xC0) from the Host MCU and send the ACK byte (0x88) or the RSCIP packet from the module. In addition, when performing a handshake performs monitoring by the timer, the timeout occurs and restart the handshake. Host MCU of UART driver for performing a handshake, it has a 5 state by the transmission status.

Table 6-1 UART driver transmission state

STATE	Description
T_IDLE	Initialize UART driver. RSCIP packet transmission completion.
T_REQUESTING	During REQ byte transmission.
T_RCV_BF_REQUESTED	Receive RSCIP packet from the module instead of ACK bytes.
T_REQUESTED	REQ byte transmission completion. (Wait for the ACK byte from the module)
T_ACTIVE	During RSCIP packet transmission.

Transmission from the Host MCU to the module, always start with REQ byte. After sending the REQ byte, Host MCU branches to one of the following operations by the receiving state.

- (a) Host MCU has not received RSCIP packet from the module (Figure 6-3)
- (b) Host MCU is receiving RSCIP packet from the module (Figure 6-4)
- (c) ACK byte reception time-out (Figure 6-5)

#### (a) Host MCU has not received RSCIP packet from the module

This state is RSCIP packet has not been transmitted from the module, after sending the REQ byte from Host the MCU, the Host MCU is waiting to receive an ACK byte. Module sends an ACK byte receive the REQ byte. Host MCU which received ACK byte sends a RSCIP packet to a module.

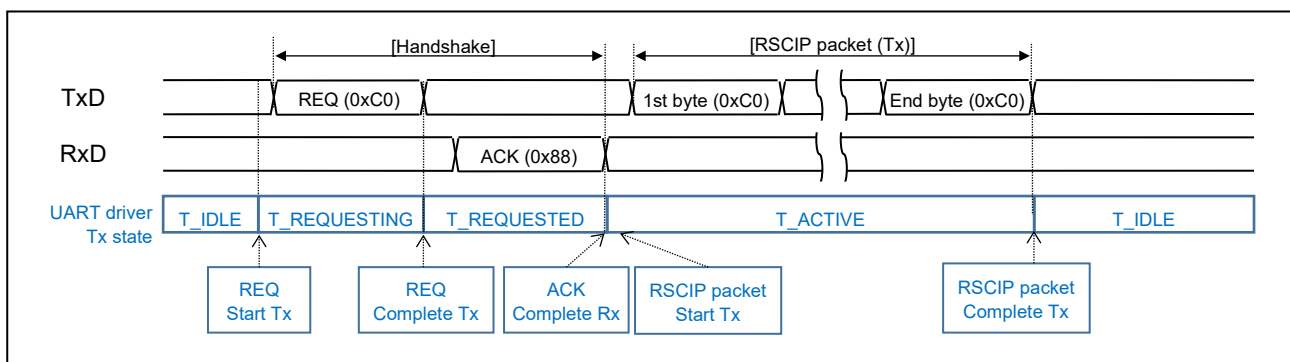


Figure 6-3 Host MCU has not received RSCIP packet from the module

**(b) Host MCU is receiving RSCIP packet form the module**

This state module has to send RSCIP packet, Host MCU is receiving RSCIP packet. Even if a module receives REQ, ACK byte isn't returned. The RSCIP packet which is being sent is made a substitute of ACK byte. A host regards a RSCIP packet from a module as a substitute of ACK byte. And a RSCIP packet is sent to a module.

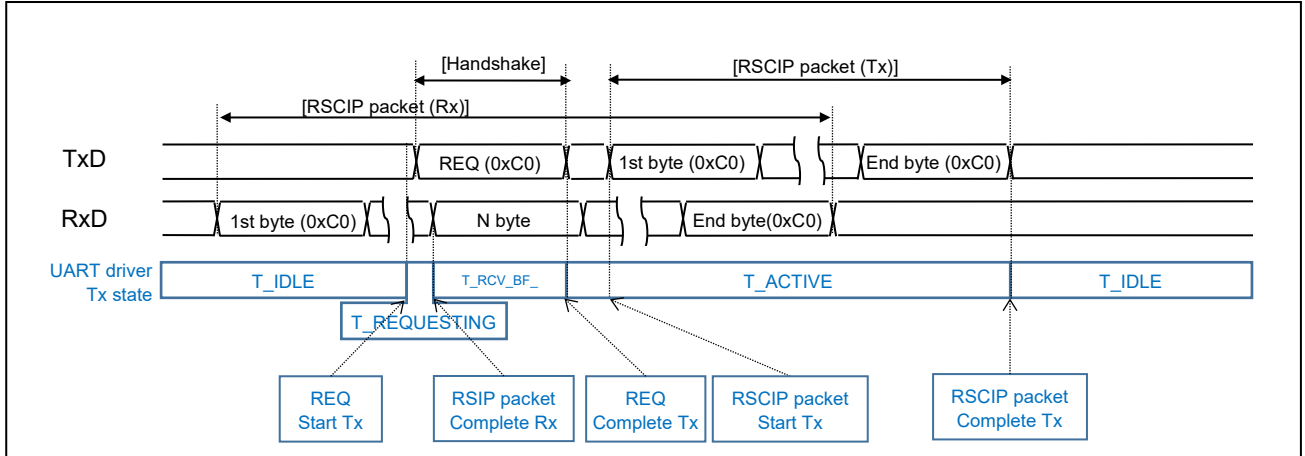


Figure 6-4 Host MCU is receiving RSCIP packet from the module

**(c) ACK byte reception time-out**

After sending REQ byte, Host MCU starts a timeout timer. If it can not be received ACK bytes for a certain period, and then resend the REQ byte.

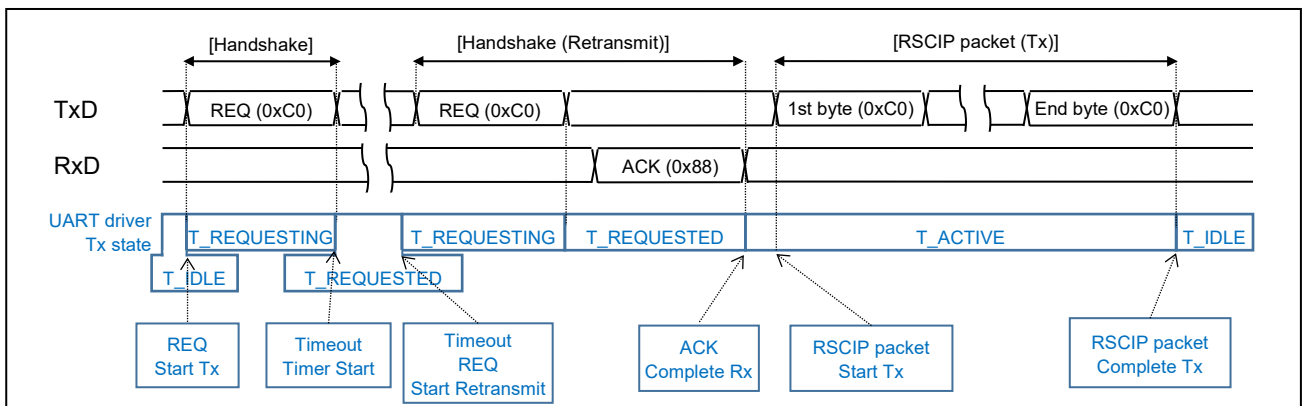


Figure 6-5 ACK byte reception time-out

**6.4.2 Reception Process**

There is no state transition of a UART driver at the reception. In order to receive the data from the module, it listens for RSCIP packet from the module in the specified number of bytes from rBLE\_Host.

### 6.4.3 Application Circuits

The following figure shows an application circuit connected by UART 2-wire branch connection.

#### (1) Connection of RL78/G14 Fast Prototyping Board to RL78/G1D BLE Module Expansion Board

The figure below shows the UART 2-wire branch connection configured to use the RL78/G14 Fast Prototyping Board as the Host MCU and the RL78/G1D BLE Module Expansion Board as the BLE MCU. The two boards are connected by the Pmod™ interface, so the host MCU TxD line can not be branched and input to 2 pin of RY7011. Instead, by inputting a low level to 2 pin of RY7011 in the port function of the Host MCU, it is possible to communicate with the UART 2-wire branch connection method in a pseudo manner.

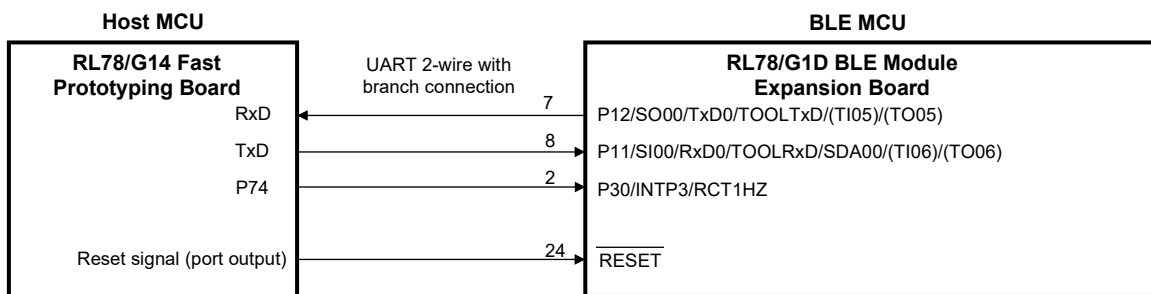


Figure 6-6 UART 2-wire branch connection (1)

#### (2) Connection with RL78/G1D module RY7011

The figure shows UART 2-wire branch connection configured to use RY7011 for the BLE MCU.

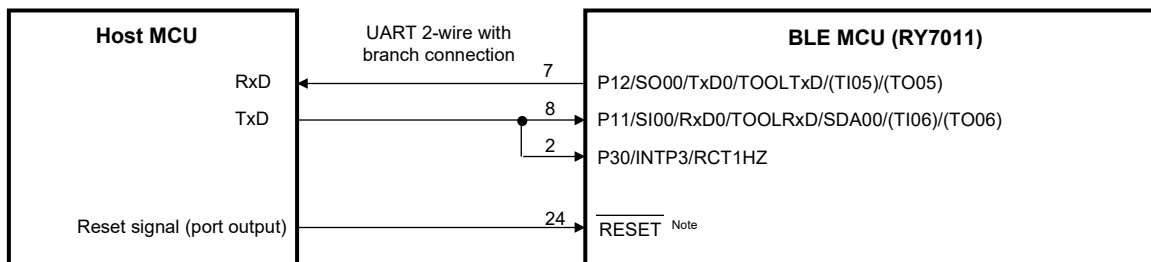


Figure 6-7 UART 2-wire branch connection (2)

Note: Please add pull-up/pull-down resistor if necessary for RESET terminal. Refer to "[RL78/G1D User's Manual: Hardware](#)" (R01UH0515).

## 6.5 Disable Sensor

Shows how to disable sensor (Renesas HS3001 Humidity and Temperature Sensor Module) processing. After removing the sensor processing source code from the project and connecting to the smartphone and permitting Indication, one letter of the alphabet is sent to the smartphone.

### (1) Changing of Definition Macro

In the CS + for CC or e<sup>2</sup> studio project, change the definition macro as follows.

```
USE_SENSOR -> noUSE_SENSOR
```

#### [CS+ for CC]

Select "View"->"Properties" of the menu. Select "CC-RL (Build Tool)" in the "Project Tree". Edit the "Definition macro" in the "Properties" tab->"Common options" tab.

#### [e<sup>2</sup> studio]

Select "RL78G14\_Fast\_Prototyping\_Board\_HostSample" in "Project Explorer". Select "Project"->"Properties" of the menu. Select "Settings" of "C/C ++ Build". Select [Compiler]-[Source] in the [Tool Settings] tab and edit the [Macro definition].

### (2) Remove Source Files from Project

Remove the following source files from the CS + for CC or e<sup>2</sup> studio project.

#### [CS+ for CC]

Select the following file in the "Project Tree" and select "Remove from Project" from the right-click menu.

```
RL78G14_Fast_Prototyping_Board_HostSample\File\Platform\driver\hs3001\
```

```
  r_hs3001.c
```

```
  r_hs3001.h
```

```
RL78G14_Fast_Prototyping_Board_HostSample\File\BLE\sample_app\
```

```
  r_hs3001_app.c
```

```
  r_hs3001_app.h
```

#### [e<sup>2</sup> studio]

Select the following files in the "Project Explorer" and select "Delete" from the right-click menu.

```
RL78G14_Fast_Prototyping_Board_HostSample\src\HostSample\Platform\driver\hs3001\
```

```
  r_hs3001.c
```

```
  r_hs3001.h
```

```
RL78G14_Fast_Prototyping_Board_HostSample\src\HostSample\BLE\sample_app\
```

```
  r_hs3001_app.c
```

```
  r_hs3001_app.h
```

## 7. Sequence Chart

This chapter shows the communication sequence between devices and between software blocks. The device configuration is Host MCU and BLE MCU of Local Device, and smartphone of Remote Device. The Host MCU consists of APP, SecLib, Data Flash and rBLE\_Host, and the BLE MCU consists of rBLE\_Core.

For the communication sequence inside the SecLib, refer to "[Bluetooth® Low Energy Protocol Stack Security Library](#)" (R01AN3777).

### 7.1 Main sequence chart

In the Main Sequence Chart, the processing blocks of 10 steps are shown. The detail of each processing block is shown in following sections.

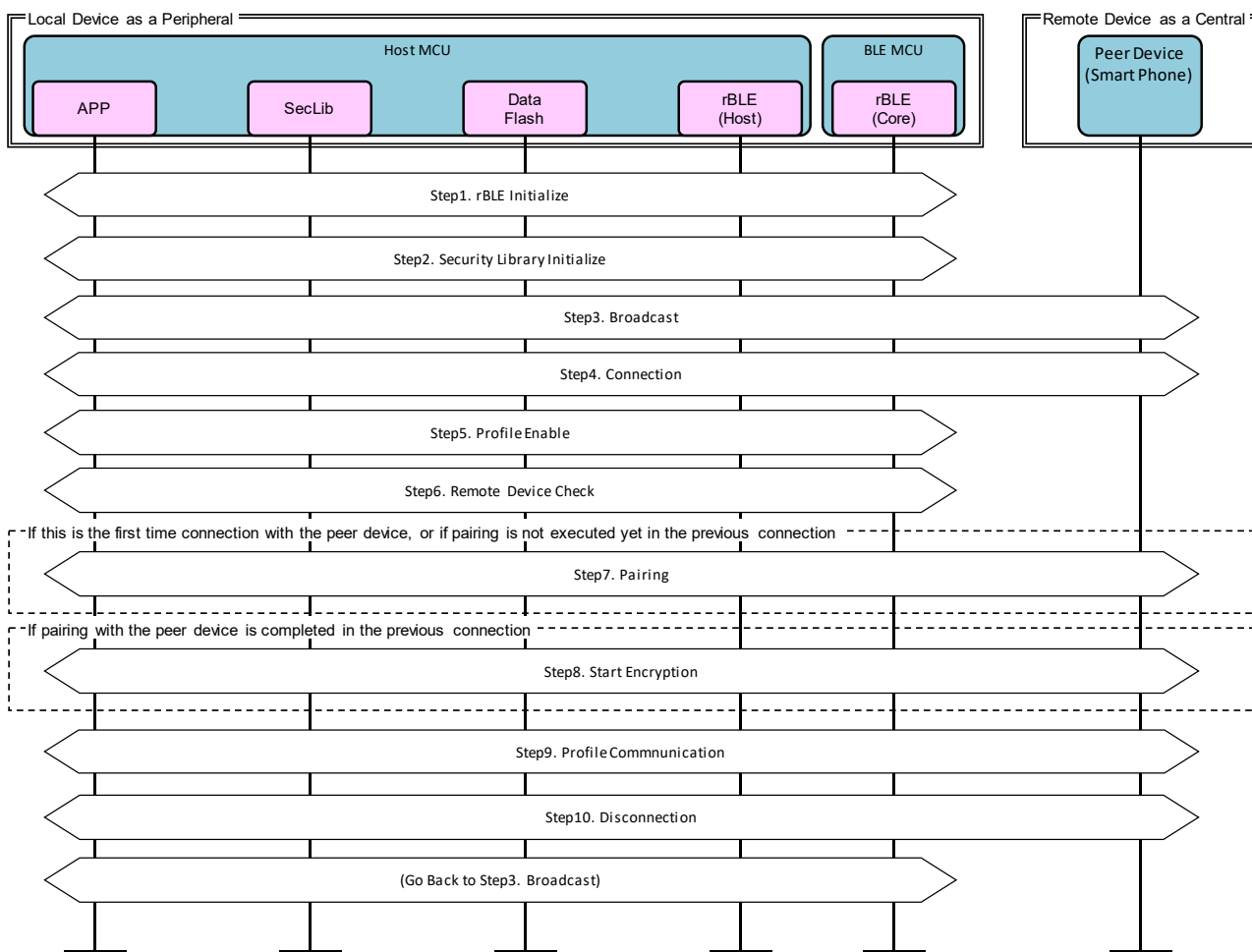


Figure 7-1 Main sequence chart



### 7.2 Step1. rBLE Initialize sequence

APP calls RBLE\_Init function to initialize rBLE (rBLE\_Host and rBLE\_Core). After initializing rBLE and establishing communication to BLE MCU, rBLE informs RBLE\_MODE\_ACTIVE event.

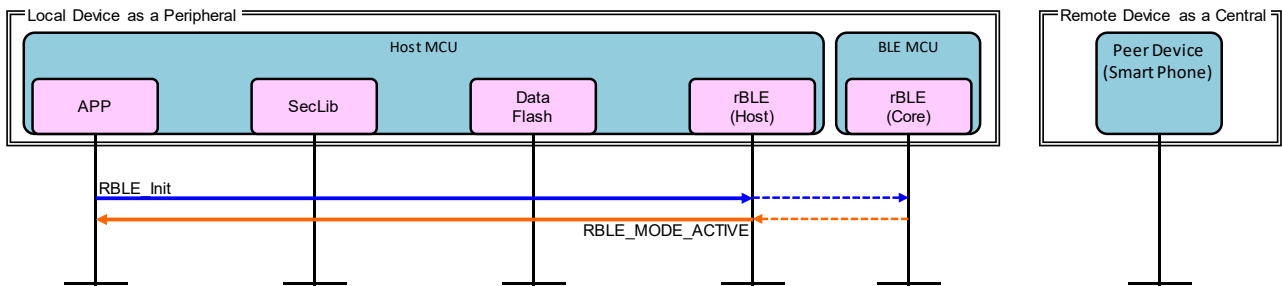


Figure 7-2 rBLE Initialize sequence chart

### 7.3 Step2. GAP Initialize sequence

APP calls the SecLib\_Init function to initialize SecLib. GAP initialization is initialized by SecLib calling the RBLE\_GAP\_Reset function inside the library. When the initialization is complete, SecLib will notify APP of the SECLIB\_EVENT\_INIT\_COMP event.

The APP calls the SecLib\_Set\_Param function to set security parameters for pairing and privacy. When the configuration is complete, SecLib will notify APP of the SECLIB\_EVENT\_SET\_PARAM\_COMP event.

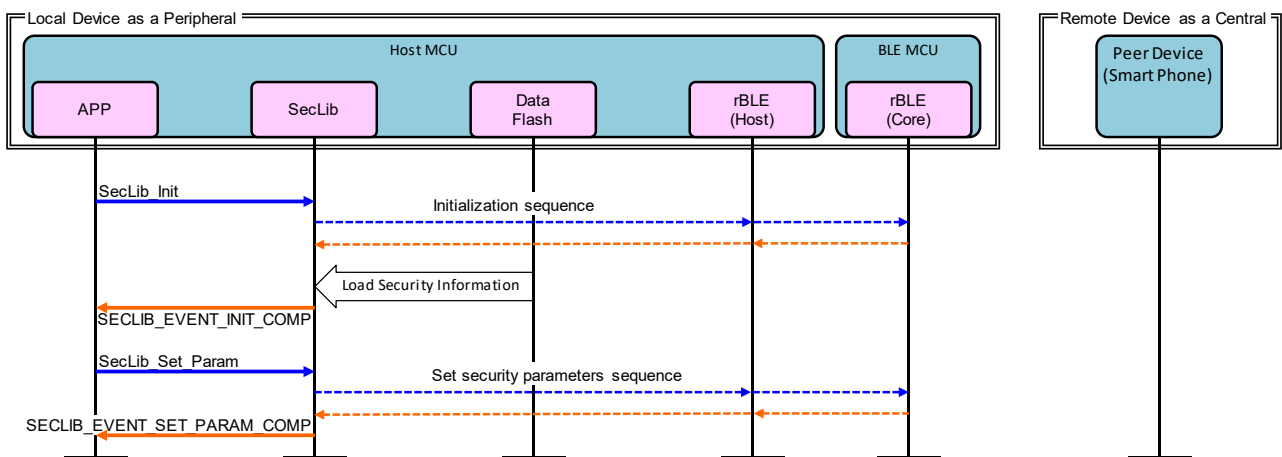


Figure 7-3 Security Library Initialize sequence chart

### 7.4 Step3. Broadcast sequence

Local Device starts broadcasting to establish connection as a peripheral.

APP calls RBLE\_GAP\_Broadcast\_Enable function to start broadcasting. After starting the broadcast, rBLE informs RBLE\_GAP\_EVENT\_BROADCAST\_ENABLE\_COMP event.

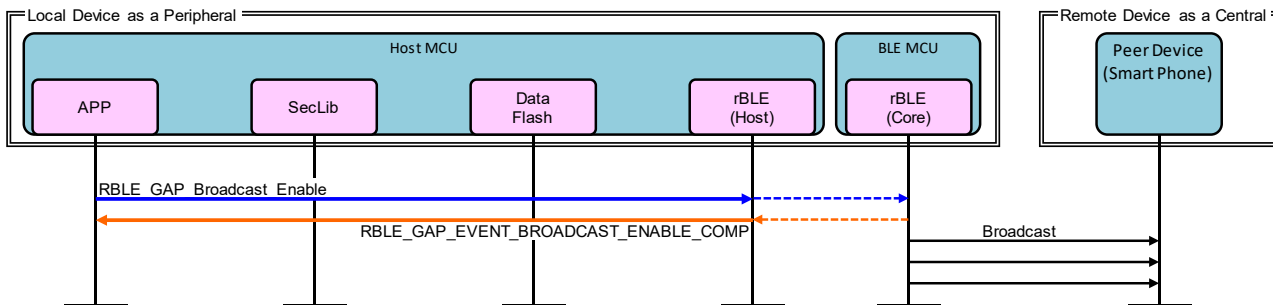


Figure 7-4 Broadcast sequence chart

### 7.5 Step4. Connection sequence

Remote Device receives the broadcast and requests to establish connection with Local Device.

If the connection between Remote Device and Local Device is established by receiving Connection Request from Remote Device, rBLE informs RBLE\_GAP\_EVENT\_CONNECTION\_COMP event.

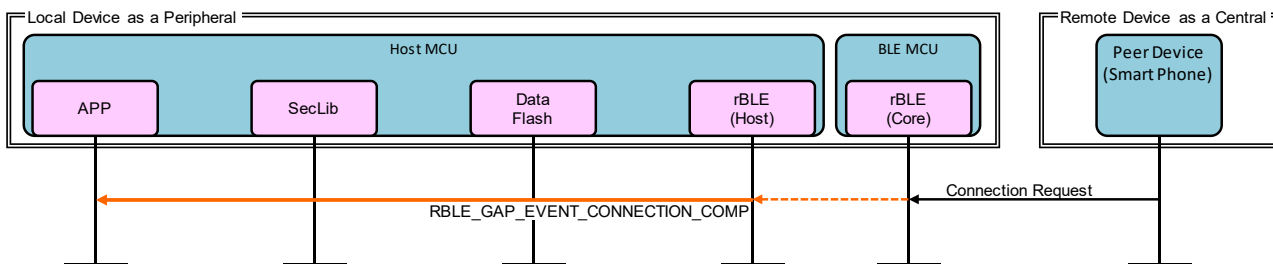


Figure 7-5 Connection sequence chart

### 7.6 Step5. Profile Enable sequence

Local Device enables GPCP (General Purpose Communication Profile) to send data.

APP calls RBLE\_VUART\_Server\_Enable function to enable GPCP. Enabling is complete when the Remote Device sends a Write Client Characteristic Configuration that allows Indication. Refer to "Figure 7-10 Profile Communication sequence chart".

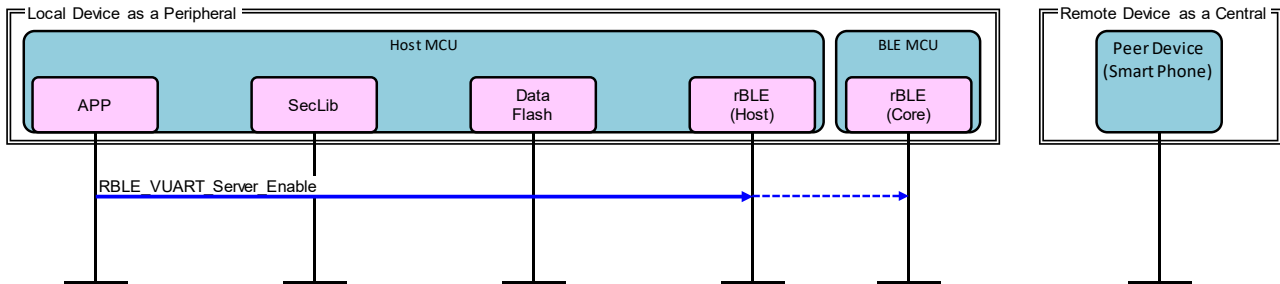


Figure 7-6 Profile Enable sequence chart

### 7.7 Step6. Remote Device Check sequence

SecLib notifies APP of a SECLIB\_EVENT\_CHK\_ADDR\_COMP event that indicates whether the pairing status with the Remote Device is complete or incomplete.

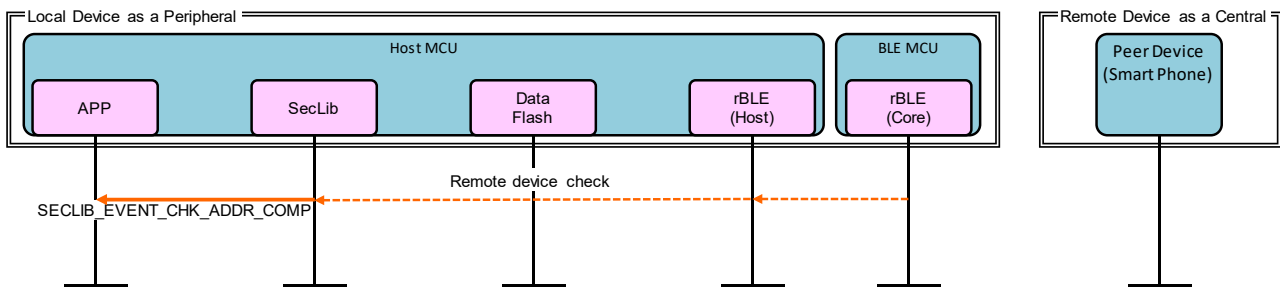


Figure 7-7 Remote Device Check sequence chart

### 7.8 Step7. Pairing sequence

If the connection with the Remote Device is first time or if pairing is not executed in previous connection, Local Device starts pairing sequence by request from Remote Device.

For pairing requests, SecLib notifies the SECLIB\_EVENT\_PAIRING\_REQ event. The APP responds by calling the SecLib\_Pairing\_Req\_Resp function to accept or reject the pairing.

When pairing with the Remote Device is complete, SecLib stores the security information in Data Flash and notifies APP of the SECLIB\_EVENT\_PAIRING\_COMP event.

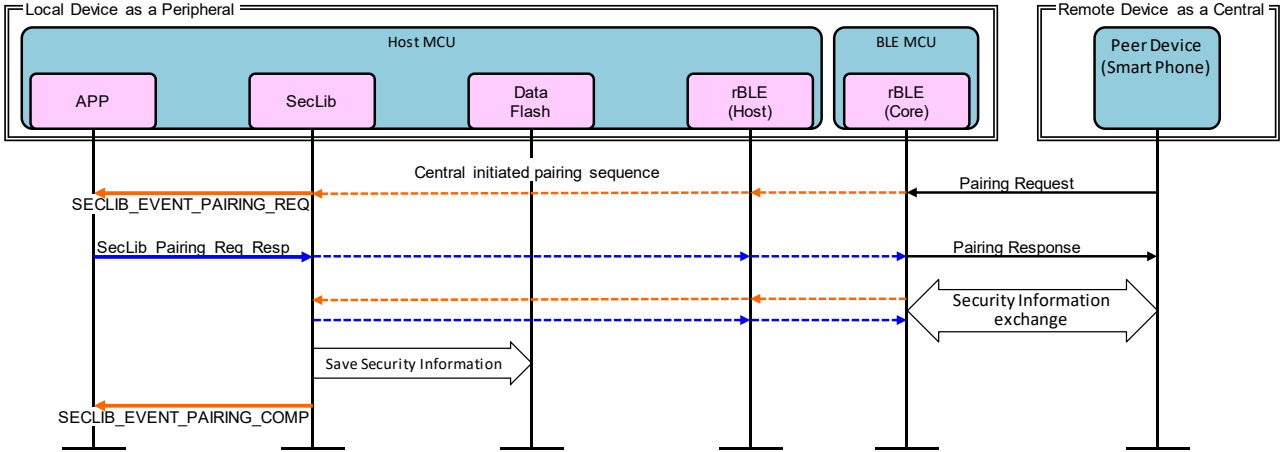


Figure 7-8 Pairing sequence chart

### 7.9 Step8. Start Encryption sequence

If pairing is success in previous connection, Local Device starts encryption sequence with LTK (Long Term Key) by request from Remote Device.

When the Remote Device sends a Start Encryption, SecLib uses the LTK to start the encryption. When encryption with the Remote Device is complete, SecLib updates the security information and notifies APP of the SECLIB\_EVENT\_ENC\_COMP event.

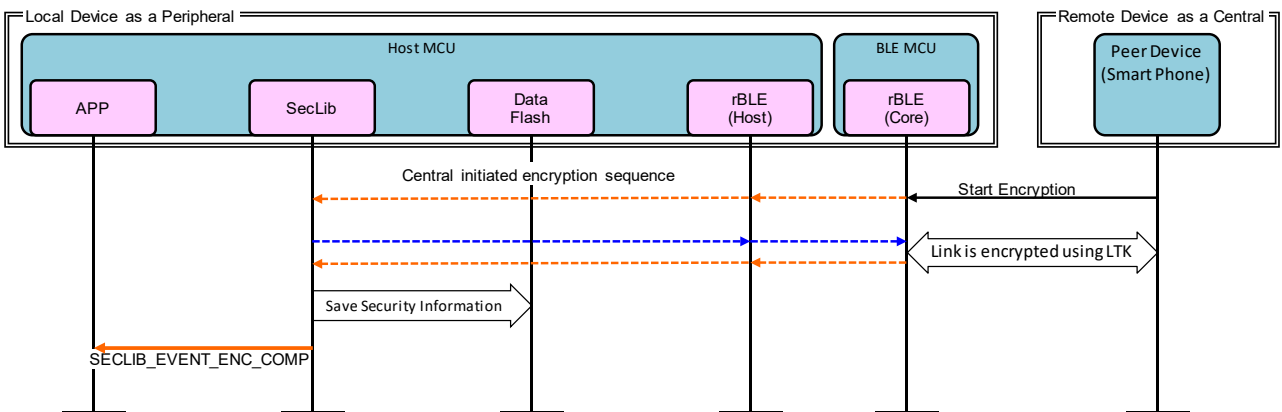


Figure 7-9 Start Encryption sequence chart

### 7.10 Step9. Profile Communication sequence

Data transmission by Indication starts using GPCP (General Purpose Communication Profile).

When the Write Client Characteristic Configuration that allows indication from Remote Device is sent, informs RBLE\_VUART\_EVENT\_SERVER\_ENABLE\_COMP event from rBLE.

When the letter 'S' or 's' is received from the Remote Device, the sensor starts measurement of humidity and temperature. It measures repeatedly using rBLE Timer, and transmits the data measured by RBLE\_VUART\_Server\_Send\_Indication to Remote Device as Indication data.

The Remote Device sends a Confirmation when it receives an Indication. When Local Device receives Confirmation, RBLE\_VUART\_EVENT\_SERVER\_INDICATION\_CFM event is informed.

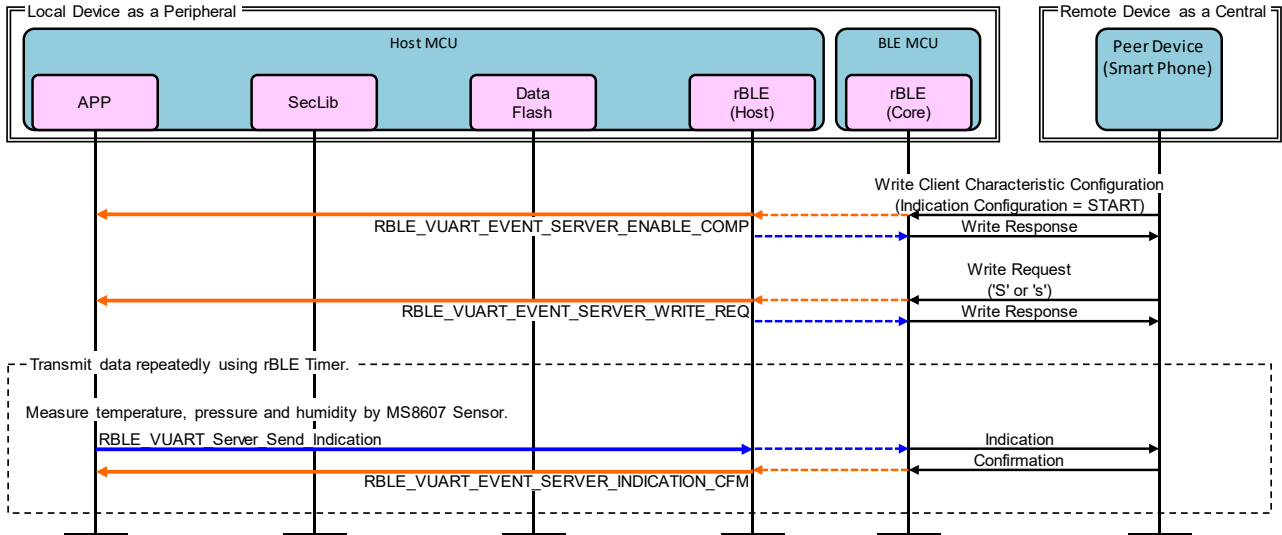


Figure 7-10 Profile Communication sequence chart

### 7.11 Step10. Disconnection sequence

By receiving Disconnect from Remote Device, rBLE disconnects connection and informs RBLE\_GAP\_EVENT\_DISCONNECT\_COMP event.

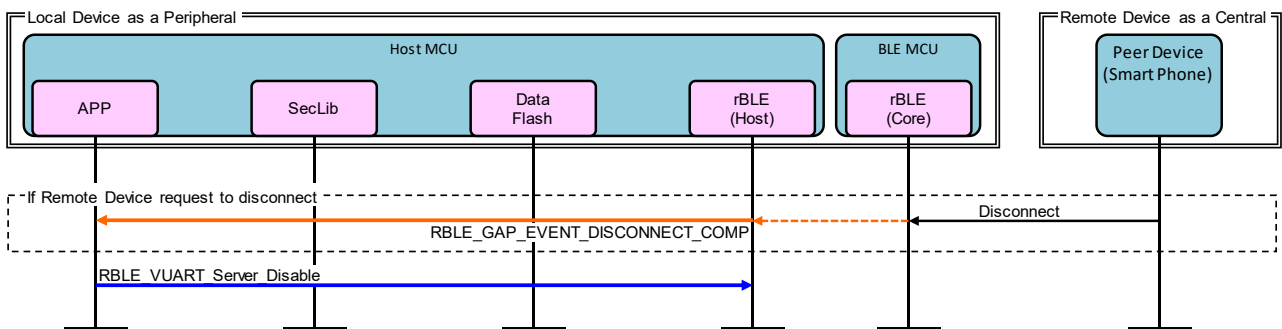


Figure 7-11 Disconnection sequence chart

## 8. Appendix

### 8.1 ROM size, RAM size

The ROM size and the RAM size which is used by Host Sample is shown in "Table 8-1 ROM size, RAM size".

Table 8-1 ROM size, RAM size

Compiler	ROM (bytes)	RAM (bytes)
CC-RL V1.10	43,474	4,823

### 8.2 References

1. [Bluetooth Core Specification v4.2, Bluetooth SIG](#)
2. [Bluetooth SIG Assigned Numbers](#)
3. [Services UUID](#)
4. [Characteristics UUID](#)

### 8.3 Terminology

Term	Description
Service	A service is provided from a GATT server to a GATT client. The GATT server exposes some characteristics as the interface. The service prescribes how to access the exposed characteristics.
Profile	A profile enables implementation of a use case by using one or more services. The services used are defined in the specifications of each profile.
Characteristic	A characteristic is a value used to identify services. The characteristics to be exposed and their formats are defined by each service.
Role	Each device takes the role prescribed by the profile or service in order to implement the specified use case.
Client Characteristic Configuration Descriptor	A descriptor is used to control notifications or indications of characteristic values that include the client characteristic configuration descriptor sent from the GATT server.
Connection Handle	This is the handle determined by the controller stack and is used to identify connection with a remote device. The valid handle range is between 0x0000 and 0x0EFF.
Universally Unique Identifier (UUID)	This is an identifier for uniquely identifying an item. In the BLE standard, a 16-bit UUID is defined for identifying services and their characteristics.
Bluetooth Device Address (BD Address)	This is a 48-bit address for identifying a Bluetooth device. The BLE standard defines both public and random addresses, and at least one or the other must be supported.
Public Address	This is an address that includes an allocated 24-bit OUI (Organizationally Unique Identifier) registered with the IEEE.
Random Address	This is an address that contains a random number and belongs to one of the following three categories : Static Address Non-Resolvable Private Address Resolvable Private Address
Static Address	This is an address whose 2 most significant bits are both 1, and whose remaining 46 bits form a random number other than all 1's or all 0's. This static address cannot be changed until the power is switched off.
Non-Resolvable Private Address	This is an address whose 2 most significant bits are both 0, and whose remaining 46 bits form a random number other than all 1's or all 0's. Static addresses and public addresses must not be equal. This type of address is used to make tracking by an attacker difficult by changing the address frequently.
Resolvable Private Address	This is an address generated from an IRK and a 24-bit random number. Its 2 most significant bits are 0 and 1, and the remaining higher 22 bits form a random number other than all 1's or all 0's. The lower 24 bits are calculated based on an IRK and the higher random number. This type of address is used to make tracking by an attacker difficult by changing the address frequently. By allocating an IRK to the peer device, the peer device can identify the communicating device by using that IRK.
Broadcaster	This is one of the roles of GAP. It is used to transmit advertising data.
Observer	This is one of the roles of GAP. It is used to receive advertising data.

Term	Description
Central	This is one of the roles of GAP. It is used to establish a physical link. In the link layer, it is called Central.
Peripheral	This is one of the roles of GAP. It is used to accept the establishment of a physical link. In the link layer, it is called Peripheral.
Advertising	Advertising is used to transmit data on a specific channel for the purpose of establishing a connection or performing data transmission.
Scan	Scans are used to receive advertising data. There are two types of scans : Passive scan, in which data is simply received, and active scan, in which additional information is requested by sending SCAN_REQ.
White List	By registering known devices that are connected or bonded to a White List, it is possible to filter devices that can accept advertising data or connection requests.
Device Name	This is a user-friendly name freely assigned to a Bluetooth device to identify it. In the BLE standard, the device name is exposed to the peer device by the GATT server as a GAP characteristic.
Reconnection Address	If a non-resolvable private address is used and the address is changed frequently, not only attackers but also the peer device will have difficulty identifying the device. Therefore, the address to be used at reconnection is reported by setting a new reconnection address as the exposed reconnection address characteristic.
Connection Interval	This is the interval for transmitting and receiving data periodically following connection establishment.
Connection Event	This is the period of time during which data is transmitted and received at the connection interval.
Supervision Timeout	This is the timeout interval after which the link is considered to have been lost when no response is received from the peer device.
Passkey Entry	This is a pairing method whereby a six-digit number is input by each device to the other, or a six-digit number is displayed by one of the devices and that number is input to the other device.
Just Works	This is a pairing method that does not require user action.
OOB	This is a pairing method whereby pairing is performed by using data obtained by a communication method other than Bluetooth.
Identity Resolving Key (IRK)	This is a 128-bit key used to generate and resolve resolvable private addresses.
Connection Signature Resolving Key (CSRK)	This is a 128-bit key used to create data signatures and verify the signature of incoming data.
Long Term Key (LTK)	This is a 128-bit key used for encryption. The key size to be used is the size agreed on during pairing.
Short Term Key (STK)	This is a 128-bit key used for encryption during key exchange. It is generated using TK.
Temporary Key (TK)	This is a 128-bit key required for STK generation. In the case of Just Works, the TK value is 0. In the case of Passkey Entry, it is the 6-digit number that was input, and in the case of OOB, it is the OOB data.



**Revision History**

Rev.	Date	Description	
		Page	Summary
1.0	Jun.1.19	-	First edition issued
1.01	Jan.10.20	16	Added "4.3 Writing HEX file using Renesas Flash Programmer".
		19	Changed the sensor data to be sent to the smartphone from binary to text in Figure A6 in "5.3.1 Android Device".
		21	Changed the sensor data to be sent to the smartphone from binary to text in Figure B6 in "5.3.2 iOS Device".
		24	Added "6.3 GPCP Transmission/Reception Function".
		29	Added "6.5 Disable Sensor".
1.10	Dec.18.20	4	Updated "1 Overview".
		5	Updated the integrated environment / compiler version of "2.2 Software Environment".
		7	Added "3.1.2 User Switch (SW_USR)".
		8	Added the description of Security Library to "3.2 Software Compositions".
		10	Added the interrupt function used by the user switch to "3.3 Peripheral Function Compositions".
		13	Updated "3.4 File Compositions".
		32	Changed "7 Sequence Chart" to communication sequence using Security Library.
		38	Updated "8.1 ROM size, RAM size".
		-	Changed the description below. from Master to Central from Slave to Peripheral
1.20	Mar.12.21	-	Changed sensor from TE Connectivity to Renesas HS3001 Humidity and Temperature Sensor Module.

# General Precautions in the Handling of Microprocessing Unit and Microcontroller Unit Products

The following usage notes are applicable to all Microprocessing unit and Microcontroller unit products from Renesas. For detailed usage notes on the products covered by this document, refer to the relevant sections of the document as well as any technical updates that have been issued for the products.

## 1. Precaution against Electrostatic Discharge (ESD)

A strong electrical field, when exposed to a CMOS device, can cause destruction of the gate oxide and ultimately degrade the device operation. Steps must be taken to stop the generation of static electricity as much as possible, and quickly dissipate it when it occurs. Environmental control must be adequate. When it is dry, a humidifier should be used. This is recommended to avoid using insulators that can easily build up static electricity.

Semiconductor devices must be stored and transported in an anti-static container, static shielding bag or conductive material. All test and measurement tools including work benches and floors must be grounded. The operator must also be grounded using a wrist strap. Semiconductor devices must not be touched with bare hands. Similar precautions must be taken for printed circuit boards with mounted semiconductor devices.

## 2. Processing at power-on

The state of the product is undefined at the time when power is supplied. The states of internal circuits in the LSI are indeterminate and the states of register settings and pins are undefined at the time when power is supplied. In a finished product where the reset signal is applied to the external reset pin, the states of pins are not guaranteed from the time when power is supplied until the reset process is completed. In a similar way, the states of pins in a product that is reset by an on-chip power-on reset function are not guaranteed from the time when power is supplied until the power reaches the level at which resetting is specified.

## 3. Input of signal during power-off state

Do not input signals or an I/O pull-up power supply while the device is powered off. The current injection that results from input of such a signal or I/O pull-up power supply may cause malfunction and the abnormal current that passes in the device at this time may cause degradation of internal elements. Follow the guideline for input signal during power-off state as described in your product documentation.

## 4. Handling of unused pins

Handle unused pins in accordance with the directions given under handling of unused pins in the manual. The input pins of CMOS products are generally in the high-impedance state. In operation with an unused pin in the open-circuit state, extra electromagnetic noise is induced in the vicinity of the LSI, an associated shoot-through current flows internally, and malfunctions occur due to the false recognition of the pin state as an input signal become possible.

## 5. Clock signals

After applying a reset, only release the reset line after the operating clock signal becomes stable. When switching the clock signal during program execution, wait until the target clock signal is stabilized. When the clock signal is generated with an external resonator or from an external oscillator during a reset, ensure that the reset line is only released after full stabilization of the clock signal. Additionally, when switching to a clock signal produced with an external resonator or by an external oscillator while program execution is in progress, wait until the target clock signal is stable.

## 6. Voltage application waveform at input pin

Waveform distortion due to input noise or a reflected wave may cause malfunction. If the input of the CMOS device stays in the area between  $V_{IL}$  (Max.) and  $V_{IH}$  (Min.) due to noise, for example, the device may malfunction. Take care to prevent chattering noise from entering the device when the input level is fixed, and also in the transition period when the input level passes through the area between  $V_{IL}$  (Max.) and  $V_{IH}$  (Min.).

## 7. Prohibition of access to reserved addresses

Access to reserved addresses is prohibited. The reserved addresses are provided for possible future expansion of functions. Do not access these addresses as the correct operation of the LSI is not guaranteed.

## 8. Differences between products

Before changing from one product to another, for example to a product with a different part number, confirm that the change will not lead to problems. The characteristics of a microprocessing unit or microcontroller unit products in the same group but having a different part number might differ in terms of internal memory capacity, layout pattern, and other factors, which can affect the ranges of electrical characteristics, such as characteristic values, operating margins, immunity to noise, and amount of radiated noise. When changing to a product with a different part number, implement a system-evaluation test for the given product.

## Notice

1. Descriptions of circuits, software and other related information in this document are provided only to illustrate the operation of semiconductor products and application examples. You are fully responsible for the incorporation or any other use of the circuits, software, and information in the design of your product or system. Renesas Electronics disclaims any and all liability for any losses and damages incurred by you or third parties arising from the use of these circuits, software, or information.
2. Renesas Electronics hereby expressly disclaims any warranties against and liability for infringement or any other claims involving patents, copyrights, or other intellectual property rights of third parties, by or arising from the use of Renesas Electronics products or technical information described in this document, including but not limited to, the product data, drawings, charts, programs, algorithms, and application examples.
3. No license, express, implied or otherwise, is granted hereby under any patents, copyrights or other intellectual property rights of Renesas Electronics or others.
4. You shall be responsible for determining what licenses are required from any third parties, and obtaining such licenses for the lawful import, export, manufacture, sales, utilization, distribution or other disposal of any products incorporating Renesas Electronics products, if required.
5. You shall not alter, modify, copy, or reverse engineer any Renesas Electronics product, whether in whole or in part. Renesas Electronics disclaims any and all liability for any losses or damages incurred by you or third parties arising from such alteration, modification, copying or reverse engineering.
6. Renesas Electronics products are classified according to the following two quality grades: "Standard" and "High Quality". The intended applications for each Renesas Electronics product depends on the product's quality grade, as indicated below.
  - "Standard": Computers; office equipment; communications equipment; test and measurement equipment; audio and visual equipment; home electronic appliances; machine tools; personal electronic equipment; industrial robots; etc.
  - "High Quality": Transportation equipment (automobiles, trains, ships, etc.); traffic control (traffic lights); large-scale communication equipment; key financial terminal systems; safety control equipment; etc.Unless expressly designated as a high reliability product or a product for harsh environments in a Renesas Electronics data sheet or other Renesas Electronics document, Renesas Electronics products are not intended or authorized for use in products or systems that may pose a direct threat to human life or bodily injury (artificial life support devices or systems; surgical implantations; etc.), or may cause serious property damage (space system; undersea repeaters; nuclear power control systems; aircraft control systems; key plant systems; military equipment; etc.). Renesas Electronics disclaims any and all liability for any damages or losses incurred by you or any third parties arising from the use of any Renesas Electronics product that is inconsistent with any Renesas Electronics data sheet, user's manual or other Renesas Electronics document.
7. No semiconductor product is absolutely secure. Notwithstanding any security measures or features that may be implemented in Renesas Electronics hardware or software products, Renesas Electronics shall have absolutely no liability arising out of any vulnerability or security breach, including but not limited to any unauthorized access to or use of a Renesas Electronics product or a system that uses a Renesas Electronics product. RENESAS ELECTRONICS DOES NOT WARRANT OR GUARANTEE THAT RENESAS ELECTRONICS PRODUCTS, OR ANY SYSTEMS CREATED USING RENESAS ELECTRONICS PRODUCTS WILL BE INVULNERABLE OR FREE FROM CORRUPTION, ATTACK, VIRUSES, INTERFERENCE, HACKING, DATA LOSS OR THEFT, OR OTHER SECURITY INTRUSION ("Vulnerability Issues"). RENESAS ELECTRONICS DISCLAIMS ANY AND ALL RESPONSIBILITY OR LIABILITY ARISING FROM OR RELATED TO ANY VULNERABILITY ISSUES. FURTHERMORE, TO THE EXTENT PERMITTED BY APPLICABLE LAW, RENESAS ELECTRONICS DISCLAIMS ANY AND ALL WARRANTIES, EXPRESS OR IMPLIED, WITH RESPECT TO THIS DOCUMENT AND ANY RELATED OR ACCOMPANYING SOFTWARE OR HARDWARE, INCLUDING BUT NOT LIMITED TO THE IMPLIED WARRANTIES OF MERCHANTABILITY, OR FITNESS FOR A PARTICULAR PURPOSE.
8. When using Renesas Electronics products, refer to the latest product information (data sheets, user's manuals, application notes, "General Notes for Handling and Using Semiconductor Devices" in the reliability handbook, etc.), and ensure that usage conditions are within the ranges specified by Renesas Electronics with respect to maximum ratings, operating power supply voltage range, heat dissipation characteristics, installation, etc. Renesas Electronics disclaims any and all liability for any malfunctions, failure or accident arising out of the use of Renesas Electronics products outside of such specified ranges.
9. Although Renesas Electronics endeavors to improve the quality and reliability of Renesas Electronics products, semiconductor products have specific characteristics, such as the occurrence of failure at a certain rate and malfunctions under certain use conditions. Unless designated as a high reliability product or a product for harsh environments in a Renesas Electronics data sheet or other Renesas Electronics document, Renesas Electronics products are not subject to radiation resistance design. You are responsible for implementing safety measures to guard against the possibility of bodily injury, injury or damage caused by fire, and/or danger to the public in the event of a failure or malfunction of Renesas Electronics products, such as safety design for hardware and software, including but not limited to redundancy, fire control and malfunction prevention, appropriate treatment for aging degradation or any other appropriate measures. Because the evaluation of microcomputer software alone is very difficult and impractical, you are responsible for evaluating the safety of the final products or systems manufactured by you.
10. Please contact a Renesas Electronics sales office for details as to environmental matters such as the environmental compatibility of each Renesas Electronics product. You are responsible for carefully and sufficiently investigating applicable laws and regulations that regulate the inclusion or use of controlled substances, including without limitation, the EU RoHS Directive, and using Renesas Electronics products in compliance with all these applicable laws and regulations. Renesas Electronics disclaims any and all liability for damages or losses occurring as a result of your noncompliance with applicable laws and regulations.
11. Renesas Electronics products and technologies shall not be used for or incorporated into any products or systems whose manufacture, use, or sale is prohibited under any applicable domestic or foreign laws or regulations. You shall comply with any applicable export control laws and regulations promulgated and administered by the governments of any countries asserting jurisdiction over the parties or transactions.
12. It is the responsibility of the buyer or distributor of Renesas Electronics products, or any other party who distributes, disposes of, or otherwise sells or transfers the product to a third party, to notify such third party in advance of the contents and conditions set forth in this document.
13. This document shall not be reprinted, reproduced or duplicated in any form, in whole or in part, without prior written consent of Renesas Electronics.
14. Please contact a Renesas Electronics sales office if you have any questions regarding the information contained in this document or Renesas Electronics products.

(Note1) "Renesas Electronics" as used in this document means Renesas Electronics Corporation and also includes its directly or indirectly controlled subsidiaries.

(Note2) "Renesas Electronics product(s)" means any product developed or manufactured by or for Renesas Electronics.

(Rev.5.0-1 October 2020)

## Corporate Headquarters

TOYOSU FORESIA, 3-2-24 Toyosu,  
Koto-ku, Tokyo 135-0061, Japan  
[www.renesas.com](http://www.renesas.com)

## Trademarks

Renesas and the Renesas logo are trademarks of Renesas Electronics Corporation. All trademarks and registered trademarks are the property of their respective owners.

## Contact information

For further information on a product, technology, the most up-to-date version of a document, or your nearest sales office, please visit:  
[www.renesas.com/contact/](http://www.renesas.com/contact/).